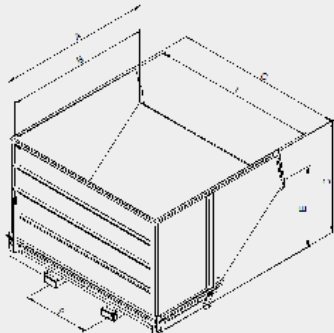


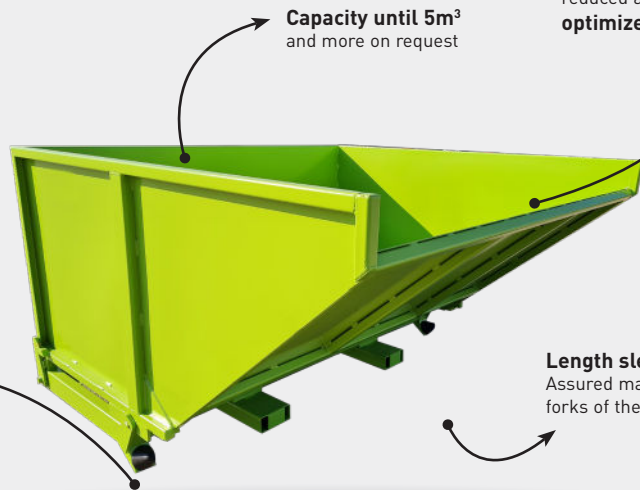
# TIPPING SKIP HIGH-CAPACITY



**High-capacity.**  
For low-density, voluminous or bulky waste.



**Rubber bumpers**  
dampen end of tipping process



**Capacity until 5m<sup>3</sup>**  
and more on request

Front height reduced allowing  
**optimized filling**

**Length sleeves 1100 mm**  
Assured maintenance on forks of the carriage



Emptying onto heap



Hydraulic tipping system



Great volume with reduced height

## CHARACTERISTICS

- Capacity : 1300 to 4600 litres
- Bin : 3 mm sheet metal with reinforcements
- Upper edge : 3-ply blunt rim
- Safety latch for transport (disengage before tipping)
- Lever for manual tipping (automatic on request)
- Fork sleeves : reinforced entry points, aperture 170 x 70 mm and fork spacing (F) can be modified on request
- Pedestal-mounted models can be used with pallet trucks (between fork sleeves)
- Wheeled model with 2 fixed and 2 swivelling wheels with handrail - front wheel drive
- Options: sliding lid, hydraulic tilting...

Capacity litres	Load kg	Wheels Ø	A	B	C	I	D	E	F	Weight kg	Painted ref.
<b>90 series - Int. bin height 900 mm</b>											
1300	2000	-	2000	1855	1155	1000	1190	1055	730	308	AGP13000
1300	2000	160F	2020	1855	1155	1000	1395	1260	730	330	AGP13162
2000	2000	-	2000	1855	1630	1500	1190	1055	900	362	AGP20000
2000	2000	200F	2020	1855	1630	1500	1290	1155	640	416	AGP20202
2600	2300	-	2000	1855	2130	2000	1190	1055	900	440	AGP30000
2600	2300	200F	2020	1855	2085	2000	1290	1155	900	495	AGP30202
<b>130 series - Int. bin height 1300 mm</b>											
3800	2600	-	2090	1945	2130	2000	1510	1130	900	502	AGP40000
3800	2400	200F	2115	1945	2130	2000	1610	1225	900	556	AGP40202
<b>140 series - Int. bin height 1400 mm</b>											
4600	3000	-	2090	1950	2330	2200	1610	1125	900	569	AGP50000
4600	2400	200F	2115	1950	2330	2200	1710	1225	900	616	AGP50202

Wheels: F = cast iron/polyurethane. Dimensions in mm for basic model (for guidance only). Centre of gravity (1200 forks) = 1000