

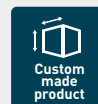
LIFTING JIB

1 HOOK



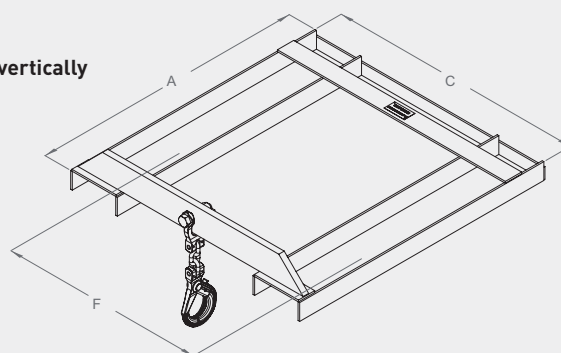
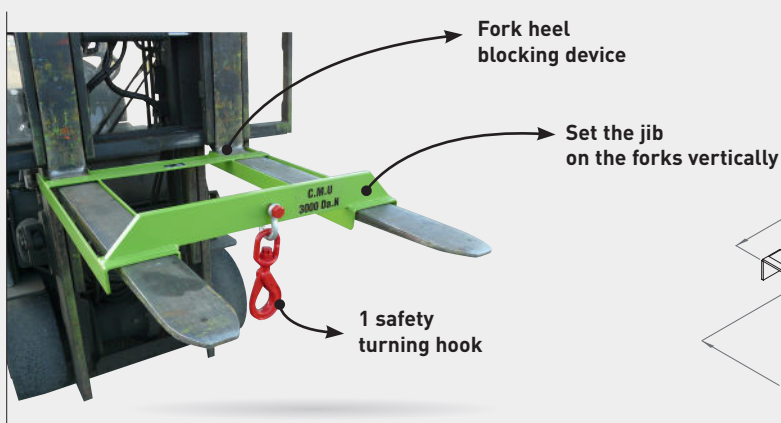
Quickly transforms your forklift into a lifting device.
 Quick mounting on forks.
 Approved by an inspection body.
 2 models.

! ATTENTION : Prior to use, accessory + forklift acceptance procedures must be carried out by your authorised inspection body.



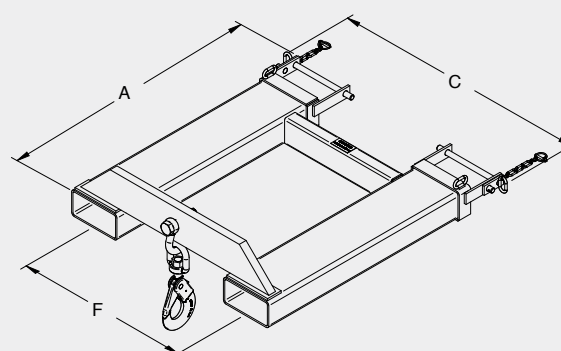
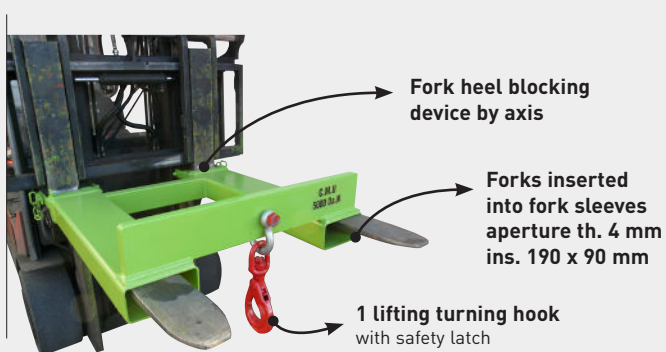
Ref. CRP20000

Maximum load 3000 kg



Ref. CRP25000 & CRP28000

Maximum load 5000 kg & 8000 kg



Load kg	A	C	F	Fork sleeves ins.	Weight kg	Painted ref.
3000	915	845	670	160 x 60	30	CRP20000
5000	1045	985	670	190 x 90	75	CRP25000
8000	1080	985	670	190 x 90	75	CRP28000

Dimensions in mm for basic model (for guidance only).