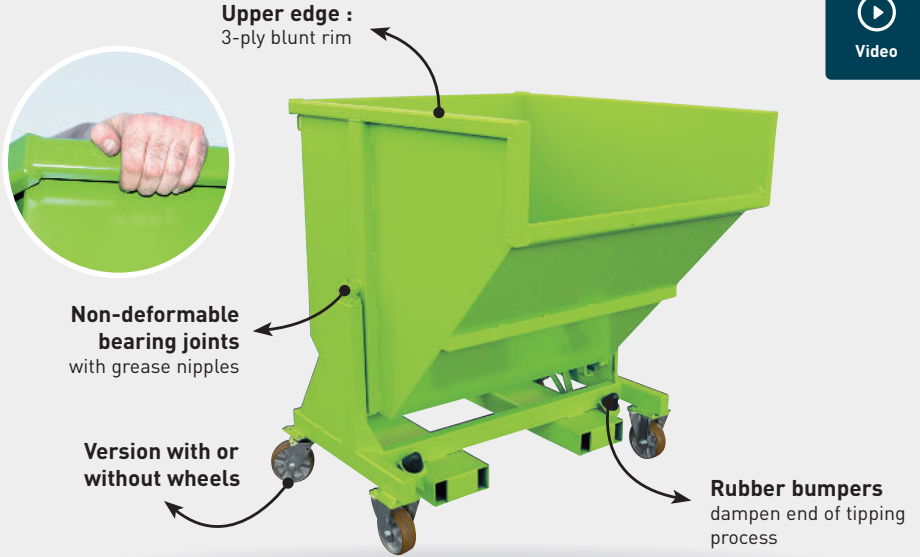
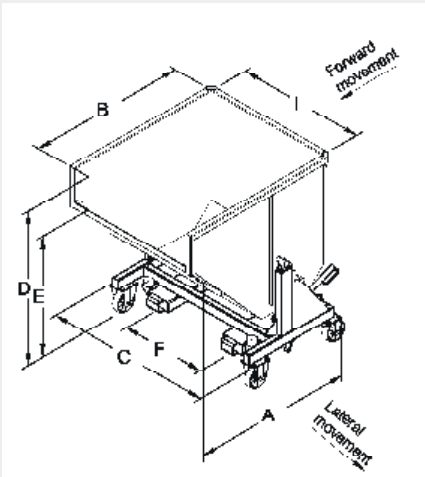


TIPPING SKIP MULTI-USE



Versatile y maneuverable.
Front-loading lip.
Automatic release.



Safety latch for transport (disengage before tipping)



Automatically unlocks + lever for manual tipping



Easy filling, reduced lip height

CHARACTERISTICS

- Capacity : 480 to 2500 litres
- Bin : 3 and 4 mm sheet metal
- Rigid tubular chassis : 4 and 5 mm sheet metal
- Sealed cross-bars (improved interior pipe corrosion resistance)
- Automatically unlocks and tips on contact (anti-slip device). Lever for manual tipping
- Fork sleeves aperture and spacing (F) can be modified on request
- Pedestal-mounted models (except the 480 L model) can be used with pallet trucks (between fork sleeves)
- Castor-mounted models have 2 fixed + 2 pivoting alu/polyurethane castors and a handrail
- Safety chain included
- Options on request

Capacity litres	Load kg	Castors Ø	Movement	A	B	C	I	D	E	F	Fork sleeves aperture	Weight kg	Painted ref.
70 series - Bin height 700 mm													
480	1500	-	-	1250	1185	970	745	1015	835	420	165 x 55	145	IEP05000
480	1200	150	Fwd.	1315	1185	1030	745	1130	950	420	165 x 55	160	IEP05151
640	1500	-	-	1250	1185	1220	995	1015	835	730	165 x 55	160	IEP06000
640	1200	150	Fwd.	1315	1185	1280	995	1130	950	670	165 x 55	175	IEP06151
780	1500	-	-	1250	1185	1475	1250	1015	835	730	165 x 55	180	IEP08000
780	1200	150	Fwd.	1315	1185	1535	1250	1130	950	730	165 x 55	190	IEP08151
960	1800	-	-	1250	1185	1720	1495	1015	835	730	165 x 55	195	IEP09000
960	1800	160	Lat.	1250	1185	1860	1495	1130	950	730	165 x 55	210	IEP09161
100 series - Bin height 1000 mm													
960	1800	-	-	1340	1265	1240	995	1290	1025	740	170 x 70	220	IEP10000
960	1800	160	Fwd.	1395	1265	1295	995	1410	1145	660	170 x 70	235	IEP10161
1440	1800	-	-	1340	1265	1740	1495	1290	1025	900	170 x 70	265	IEP15000
1440	1800	160	Lat.	1340	1265	1830	1495	1410	1145	900	170 x 70	280	IEP15161
1920	1800	-	-	1300	1220	2240	1995	1310	1045	900	170 x 70	310	IEP20000
1920	1800	160	Lat.	1300	1220	2330	1995	1430	1165	900	170 x 70	325	IEP20161
120 series - Bin height 1200 mm													
1250	1800	-	-	1470	1320	1250	995	1530	1180	740	170 x 70	270	IEP12000
1250	1800	160	Fwd.	1470	1320	1295	995	1650	1300	660	170 x 70	285	IEP12161
1870	1800	-	-	1470	1320	1750	1495	1530	1180	900	170 x 70	318	IEP18000
1870	1800	160	Lat.	1470	1320	1830	1495	1650	1300	900	170 x 70	330	IEP18161
2500	1800	-	-	1470	1320	2250	1995	1530	1180	900	170 x 70	368	IEP25000
2500	1800	160	Lat.	1470	1320	2340	1995	1650	1300	900	170 x 70	380	IEP25161

Dimensions in mm for basic model (for guidance only). Lat.: Lateral movement - Fwd.: Forward movement.