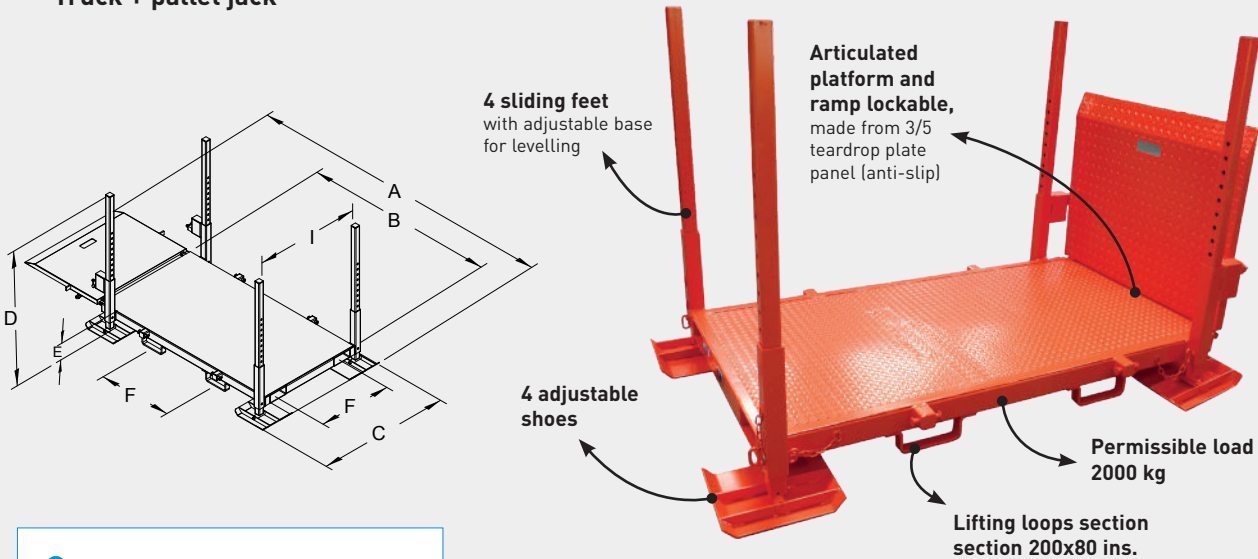


MOBILE DELIVERY RAMP



Handling equipment or pallets of materials on site
 Ideal for rental companies
 Truck + pallet jack



Use

- The ramp enables you to pass above ground drainage or trenches and compensate for uneven ground.
- It enables a pallet to be delivered to a garage or enclosed area.
- Unload, wherever you wish, in spite of difficult to access sites or sites that are difficult to move around.
- Once the platform is stabilised, remove your pallet with your pallet lift/truck cranes.
- Unload using your pallet truck.

Load kg	A	B	C	I	D	E	F	Fork sleeves ins.	Weight kg	Painted ref.
2000	2790	1800	1260	980	1300	190	700	170 x 70	270	QLP20000

Dimensions in mm for basic model (for guidance only).



- Unloading by pallet lift
 - 4 lashing points for ratchet-straps



Displacement unladen with forks in forks section 170x70 fixed distance 700 mm



Pallet unloaded at difficult to access site



Special trailer bed



Special unloading



Can also be made with 2 removable mesh drop panels and 1 steel-panel bottom