

TRAILER

FOR FORKLIFT TRUCKS

AT

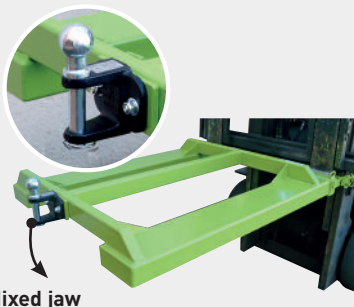
- Safe moving and easily leveling trailer, mobile home, caravan...
- Traffic on private roads.
- Forklift fork grip 1200 length max. in sleeves section int.170x70 – Fork spacing (middle):800mm.
- Compatible with front and telescopic forklift.

Ref. ATP10000



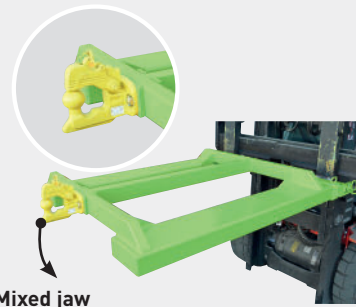
Right-angled ball coupling
50 diam

Ref. ATP12000



Mixed jaw
with 1 50 diam. ball coupling and 24 diam pin

Ref. ATP15000



Mixed jaw
with 1 50 diam. ball coupling

CARACTÉRISTIQUES

Ref. ATP10000

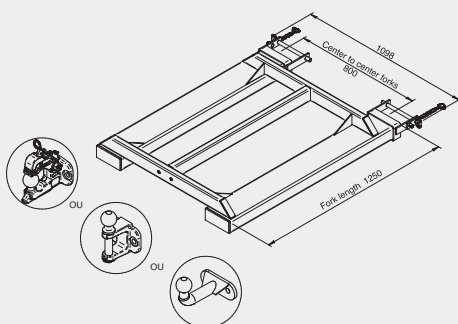
- Model equipped with a right-angled ball coupling
- Enables a wide range of movement
- Vertical static load on the ball : Max. 120 kg
- Towable weight : Max 2T
- Weight 79 kg

Ref. ATP12000

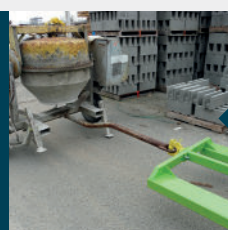
- Model equipped with a combination jaw pin with one ball coupling
- Can be handled via a coupling ball or ring
- Max. Static vertical load :
 - On the ball coupling : 120 kg
 - On the jaw : 120 kg
- Max. towing weight :
 - On the ball coupling : 1.5T
 - On the jaw : 3.5T
- Weight 80 kg

Ref. ATP15000

- Model equipped with a reinforced mixed hook
- Prized by professionals for its safety and robustness
- Usable for trailers with ring and with coupling head
- The mixed hook with its nippers and coupling allows 2 uses
- Reinforced attachment to the heels of the forks
- Static vertical load on the ball hook: 375 kg
- Maximum towable load on the ball hook: 3T5
- Weight 83 kg



Quick mounting with safety lock at the heels of the forks



Secure hooking with mixed hook