

# PALLET TIPPER



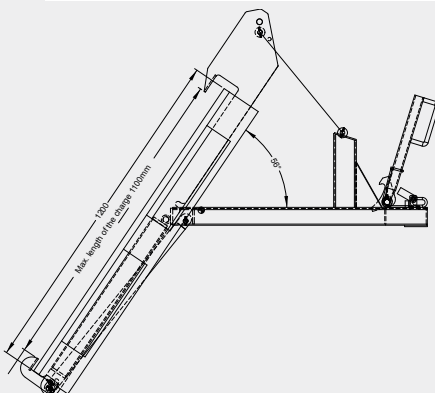
Effortless pallet unloading.  
For use with forklift.  
Pallet securely held.



## CHARACTERISTICS

### Patented model - Ref. BPP05000

- Overall dimensions : 580 x 1745 x 465 mm
- Weight 125 kg
- Maximum length of the charge on the pallet : 1100 mm (clearance for the claws)
- Lever for manual tipping
- Fork sleeves aperture : 145 x 55 mm. Spacing : 388 mm
- 2 end-stop limit cables



## UNLOAD PALLET CONTENTS EFFORTLESSLY (BUNDLED BOXES, PLASTICS, BAGS, ETC.).

