

# DROP BOTTOM SKIP WITH HEEL CAGE SAFETY



Full bottom emptying.  
Best size/capacity ratio.  
With patented heel cage safety - no risk of disengaging.

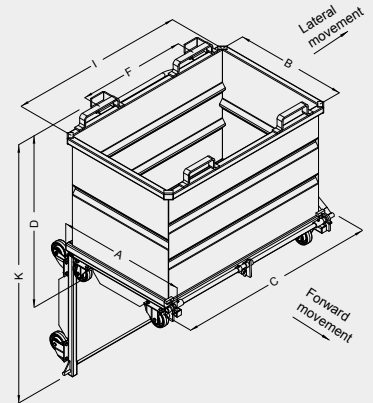
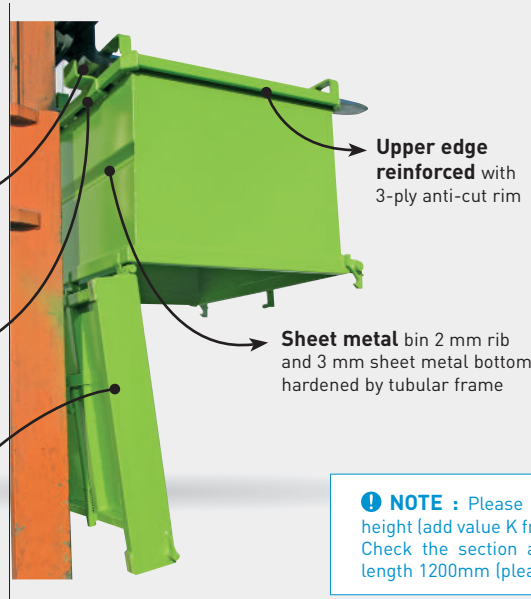


**Automatic fork heel locking** with stub cage safety (registered patent)

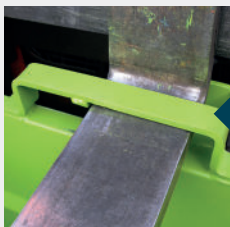
**Full hold** in heel cage by apron movement



**Version with or without wheels**



**NOTE :** Please ensure the forklift mast is at a suitable height (add value K from the table to the collection skip height). Check the section and the length of the forks - minimum length 1200mm (please contact us if lower length).



**Heel cage safety :** fully secure hold



**Galvanized version with castors - forward movement**



**Automatically tips on contact**

## CHARACTERISTICS

- Capacity : 515 to 2075 litres
- Upper lifting lugs, aperture : 160 x 60 and spacing (F) 700 mm
- Opening mechanism tied with hinged hook
- Automatically unlocks and tips on contact, lever for manual tipping
- Safety latch preventing any unintentional use
- Models without wheels for use with pallet truck
- Caster mounted models have 2 fixed and 2 pivoting castors and a handrail Forward movement except for 2075 L which has lateral motion
- For customised or reinforced versions, please contact us

Capacity litres	Load kg	Castors Ø	A	B	C	I	D	K	Weight kg	Painted ref.
515	1500	-	1010	800	1145	1000	880	1620	125	CAP05000
515	1200	125N	1005	800	1145	1000	930	1620	130	CAP05120
830	1500	-	1000	800	1395	1250	1070	1810	155	CAP08000
830	1200	125N	1005	800	1395	1250	1120	1810	160	CAP08120
1000	1500	-	1010	800	1345	1200	1280	2020	165	CAP10000
1000	1200	150P	1005	800	1345	1200	1380	2020	175	CAP10151
1400	1500	-	1100	900	1395	1250	1425	2265	185	CAP14000
1400	1200	150P	1105	900	1395	1250	1520	2265	195	CAP14151
2075	2000	-	1220	1000	1945	1800	1390	2350	255	CAP20000
2075	1800	160P	1225	1000	1980	1800	1490	2350	267	CAP20161

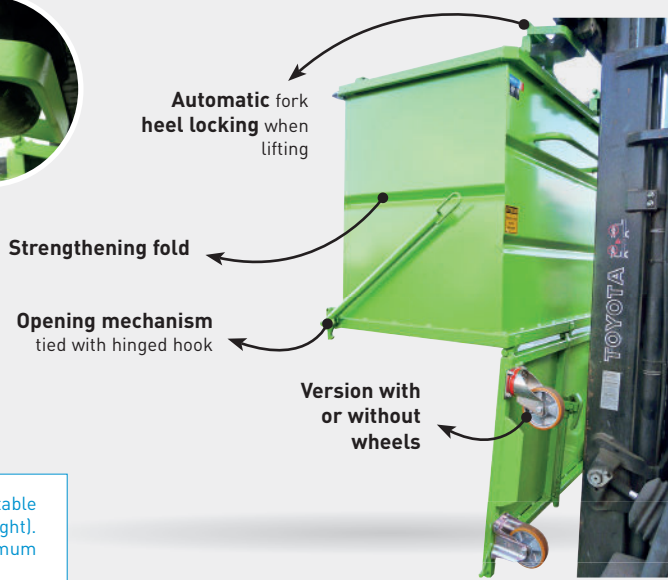
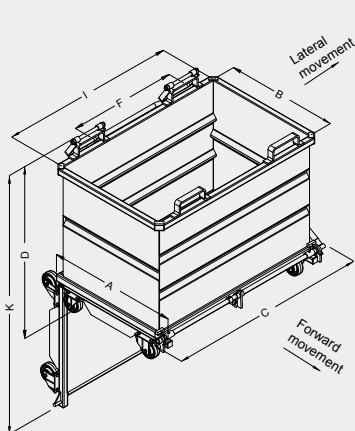
Castors : N = Nylon, P = alu/polyurethane - Dimensions in mm for basic model (for guidance only).

# DROP BOTTOM SKIP

## HINGED STIRRUP SAFETY



Full bottom emptying.  
Best size/capacity ratio.  
Automatically unlocks.



**NOTE :** Please ensure the forklift mast is at a suitable height (add value K from the table to the collection skip height). Check the section and the length of the forks - minimum length 1200mm (please contact us if lower length).



Model without wheels for use with pallet truck



With hinged stirrup : fast pickup - can be used without apron movement



Automatically unlocks and tips on contact

### CHARACTERISTICS

- Capacity : 515 to 2075 litres
- Upper lifting lugs, aperture : 200 x 65 and spacing (F) 780 mm
- Sheet metal bin 2 mm rib, and 3 mm sheet metal bottom hardened by tubular frame
- Upper edge reinforced with 3-ply anti-cut rim
- Safety latch preventing any unintentional use
- Model without wheels for use with pallet truck
- Caster mounted models have 2 fixed and 2 pivoting castors and a handrail Forward movement except for 2075L which has lateral motion
- For customised or reinforced versions, please contact us
- Options : see P.40

Capacity litres	Load kg	Castors Ø	A	B	C	I	D	K	Weight kg	Painted ref.
515	1500	-	1000	800	1145	1000	920	1620	125	FAP05000
515	1200	125N	1005	800	1145	1000	970	1620	130	FAP05120
830	1500	-	1000	800	1395	1250	1110	1810	155	FAP08000
830	1200	125N	1005	800	1395	1250	1165	1810	160	FAP08120
1000	1500	-	1000	800	1345	1200	1320	2020	165	FAP10000
1000	1200	150P	1005	800	1345	1200	1420	2020	175	FAP10151
1400	1500	-	1100	900	1395	1250	1465	2265	185	FAP14000
1400	1200	150P	1105	900	1395	1250	1565	2265	195	FAP14151
2075	2000	-	1220	1000	1945	1800	1430	2350	255	FAP20000
2075	1800	160P	1225	1000	1980	1800	1530	2350	267	FAP20161

Castors : N = Nylon, P = alu/polyurethane - Dimensions in mm for basic model (for guidance only).

# OPTIONS AND FUNCTIONS OF USE

FAP CAP



Lid with inspection window and ferrule



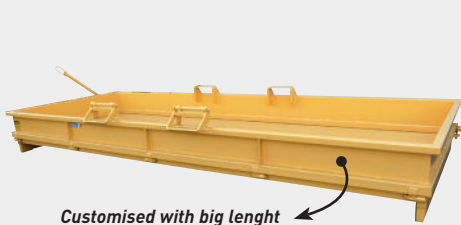
Opening limiter with guide flanges



Lid with 2 opening sections



Lid with 1 hinged section



Customised with big lenght



4 corner lifting lugs

Automatic release by contact drawbar



Customised sleeves for forklift with clamps



Custom made product with roof



Opening limiters



Lower lifting through fork sleeves