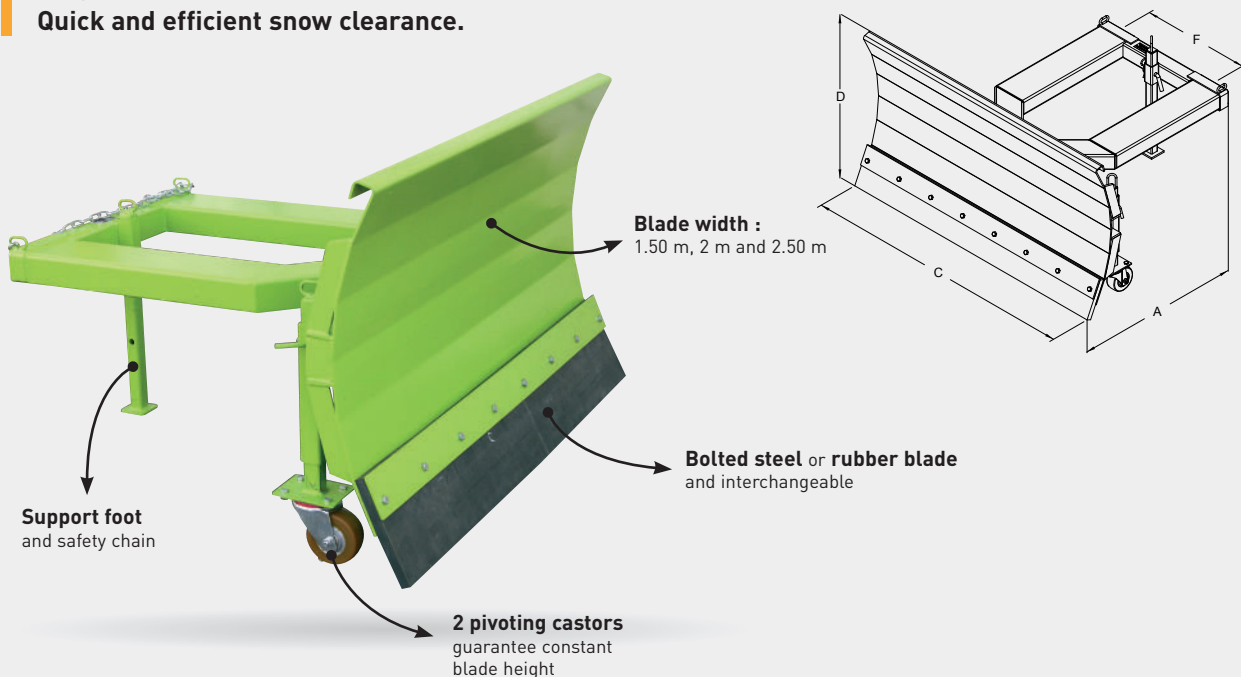


# SNOW-PLOW BLADE

CN

- Metal or rubber blade interchangeable.
- Easy to use with forklift.
- Quick and efficient snow clearance.



## CHARACTERISTICS

### 2 MODELS :

- **With highly-resistant rubber scrapper** (65 shores), 2 pivoting castors guarantee constant blade height. Prevents ground damage when clearing snow. Blade height (D) 825 mm
- **With bolted steel blade** (400 HB), can be used throughout the year for leveling, clearing or cleaning surfaces
- **Blade height (D)** 800 mm

Length blade mm (C)	Castors Ø	A	F	Fork sleeves ins.	Weight kg	Steel blade ref.	Rubber blade ref.
1500	-	1270	600	170 x 70	180	CNP15000	-
1500	125	1270	600	170 x 70	190	CNP15121	CNP16121
2000	-	1270	600	170 x 70	215	CNP20000	-
2000	125	1270	600	170 x 70	225	CNP20121	CNP21121
2500	-	1270	600	170 x 70	250	CNP25000	-
2500	125	1270	600	170 x 70	260	CNP25121	CNP26121

Dimensions in mm for basic model (for guidance only).