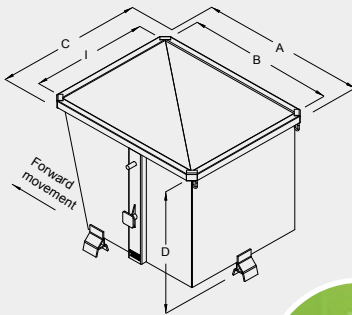


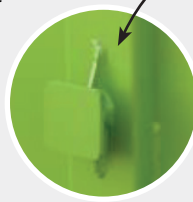
# TIPPING SKIP WITH LIFTING BEAM

CP

For use with PL lifting beam (emptying).  
Economical.  
Smooth sides.



Trunnions with reinforcements



Foot height  
(fork clearance) :  
**100 mm**

**3 feet for stacking**  
(version without wheels)

Version with  
or without wheels



Stackable fixed-foot  
model, with option  
4 lifting lugs



For use with PL  
lifting beam  
(emptying)



Optional  
hinged cover

## CHARACTERISTICS

- Capacity : 575 to 1000 litres
- PL lifting beam inverts and empties skip
- Bin : 3 mm reinforced sheet metal
- Smooth sides and sloped front panel facilitate emptying and maintenance
- Fixed-mounted models (3 feet) designed for stacking (3 levels max)
- Castor-mounted models (non-stackable - forward movement) have 2 fixed + 2 pivoting Ø125 alu/polyurethane castors and a handrail
- Options on request

Capacity litres	Load kg	Castors Ø	A	B	C	I	D	Weight kg	Painted ref.
575	2000	-	1110	1000	990	800	900	108	CPP06000
575	1200	125	1165	1000	990	800	965	117	CPP06121
700	2000	-	1310	1200	990	800	900	120	CPP07000
700	1200	125	1365	1200	990	800	965	129	CPP07121
880	2000	-	1310	1200	1190	1000	900	134	CPP09000
880	1200	125	1365	1200	1190	1000	965	143	CPP09121
1000	2000	-	1310	1200	1330	1140	900	143	CPP10000
1000	1200	125	1365	1200	1330	1140	965	152	CPP10121

Dimensions in mm for basic model (for guidance only).