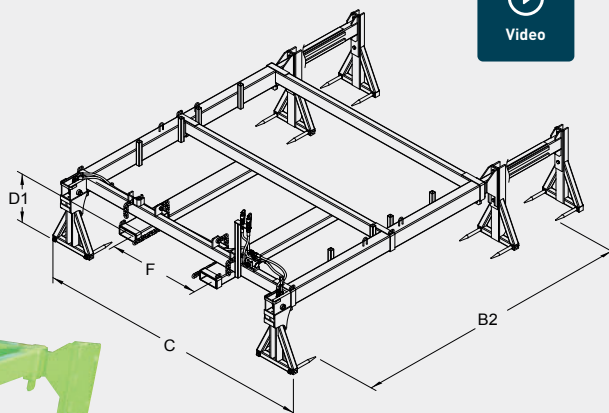
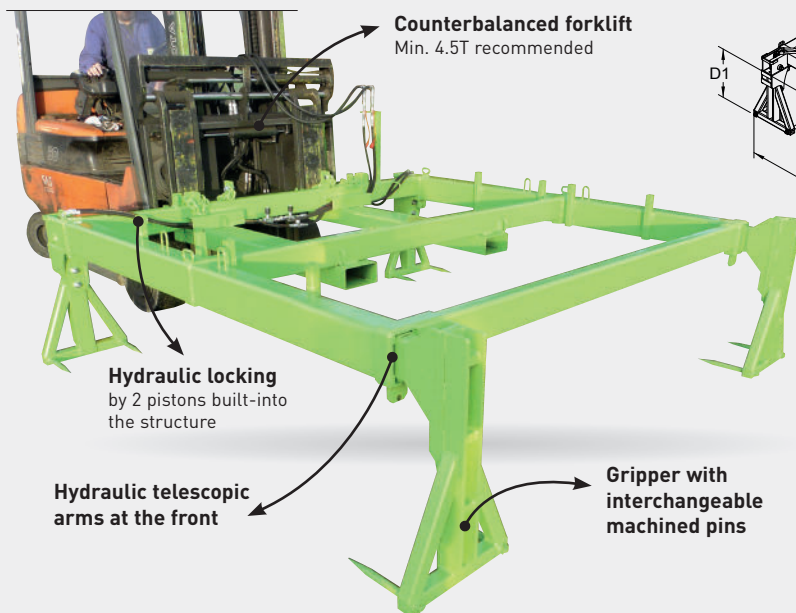


HYDRAULIC SPREADER FOR WELDED WIRE MESH

CR-H



- Quick and secure unloading of trucks.
- Can handle piles.
- Type-approved by regulatory body.



! ATTENTION :

Prior to use, accessory + forklift acceptance procedures must be carried out by your authorised inspection body.

! The most popular model !

The CRP57000 can move all types of stacks, but for loads longer than 4.80 m, careful of bending when stacking !

! Versatile model !

The CRP79000 new model with its stands 3 pins accepts multiple formats from 3 to 6 m in length.

CHARACTERISTICS

- Permissible weight 2000 kg
- Can be fitted to counterbalanced or telescopic forklift truck forks
- Enables 2.40 m wide piles to be handled (for special 2 m width select the RGP option) and 3 to 6 m long piles, depending on the references
- Supplied with hoses fitted with 3/8 male couplings mounted fitted on support on left
- Remains securely fitted to the forklift truck by 12 mm diam. chains
- Delivered disassembled with 4 claws to bolt

Recommended wire meshing (width 2.40 m)	B2	C	D1	F	Fork sleeves ins.	Weight kg	Painted ref.
Length from 3 to 4.80 m	2670	2695	460	900	170 x 70	490	CRP57000
Length from 3.60 to 6 m	2670	3895	430	900	170 x 70	670	CRP78000
Length from 3 to 6 m	2670	3895	430	900	170 x 70	675	CRP79000
Length from 4.80 to 6 m	2670	3895	430	900	170 x 70	590	CRP77000

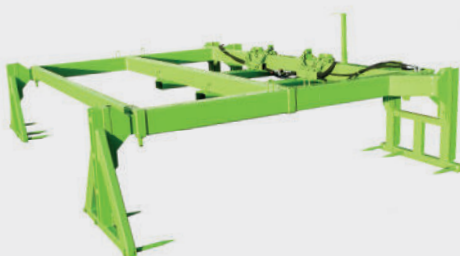
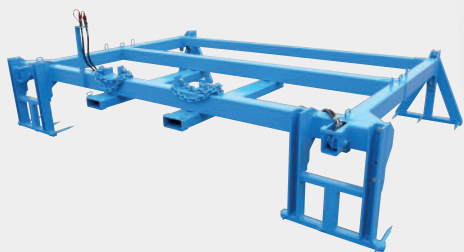
Dimensions stated in mm, excluding options, and not contractually binding.



OPTIONS

AND FUNCTIONS OF USE

CRP78000 and CRP79000 models equipped with stands with 3 pins for picking up parcels 3.60 to 6 m long or 3 to 6 m long x 2.40 m wide



Hydraulic assembly with adjustment for telescopic arm



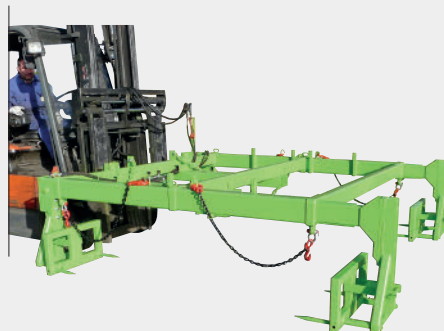
OPTIONS

- **FWP** : Quick and secure unloading of Adaptation for 4-forks truck
- **ELP** : 4 1m-lifting chains with safety and grab hooks (for retail outlet mesh, manual use as CR-T)
- **RGP** : Set of 4 extendable claws for special size 2m wire mesh, can be fitted on CRP57000 and CRP67000

ELP Option
4-chain lifting kit



RGP Option Gripper reduction kit (fixed by pins)



Quick and secure unloading of lorries

