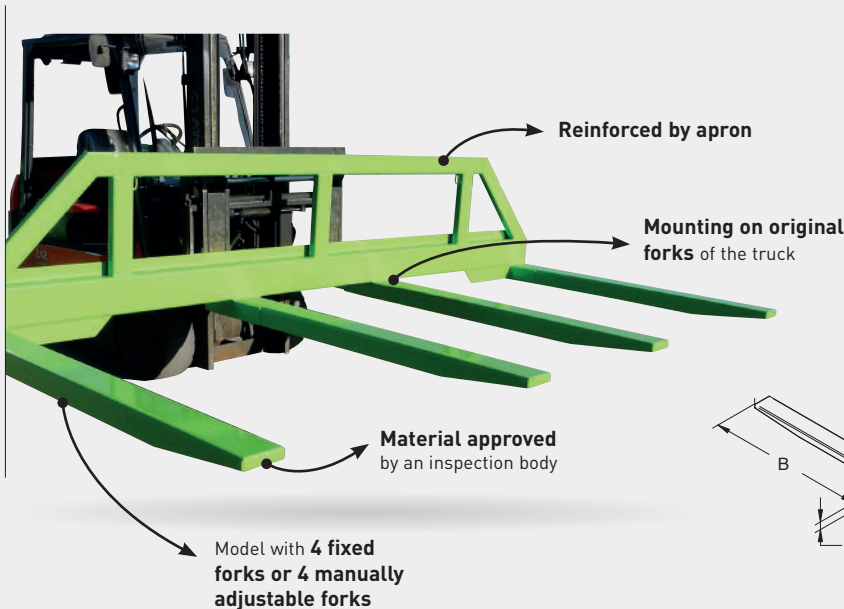


CUSTOMISED FORKS WIDENER

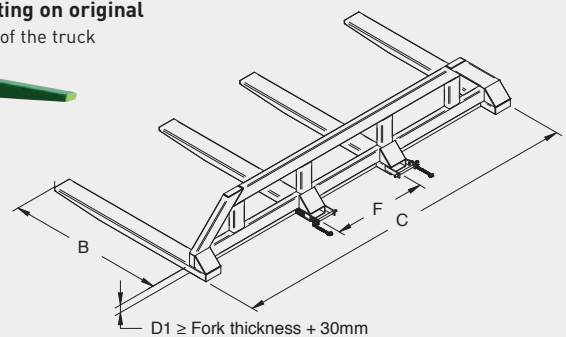
FQ



Secure handling of long loads: packets sheets, wood etc...
Economical purchase compared to a hydraulic system.
Locking system on the heels of the forks.



Made to measure.
Send us your technical requirements. Customised to suit your needs.



! ATTENTION : Prior to use, accessory + forklift / crane acceptance procedures must be carried out by your authorised inspection body.



TABLE TO COMPLETE AND RETURN TO US FOR A FREE QUOTATION

Effective length (mm)	Effective Height under pallet (mm)	Overall width (mm)	Max spacing of carriage (mm)	Truck capacity (tonne)	Forks section and length (mm)	Type of load	Dimensions (mm)	Weight Load (kg)
B	D1	C	F				L x W	

Table to download from our website (see FQ page).