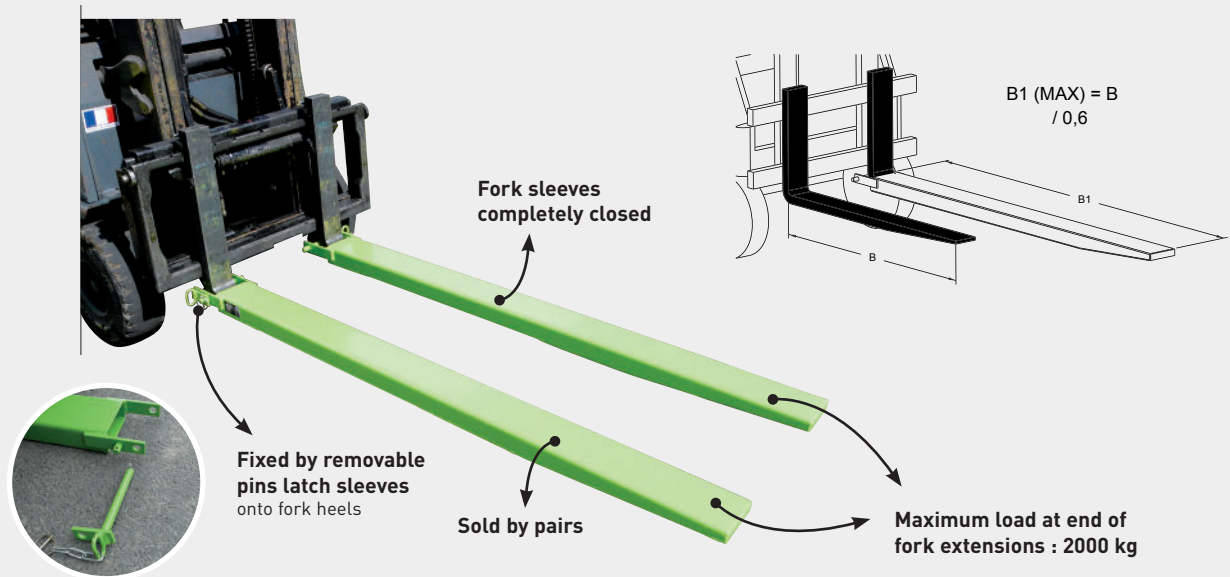


FORK EXTENSION SLEEVES

FR

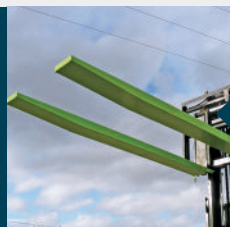
Quick and secure fit.
Reinforced fork sleeves in th. 5 mm.
Length according to the ISO 13284 standard.



Check the available space behind your fork heel



Forks can enter the sleeves directly



Reinforced fork sleeves th. 5 mm

CHARACTERISTICS

- Select model based on fork dimensions (W x H x L)
- According to the ISO 13284 Standard length extensions must conform to the following formula : Maximum length of extension (B1) = Length of the original truck forks (B) / 0.6
- For customised fork sleeves with other dimensions, please contact us

Max. fork dimensions	Extension sleeve aperture FR	Length (mm) B1	Weight kg	Painted ref. (pair)
40 x 80	50 x 100	1500	38	FRP10015
45 x 100	55 X 120	1700	49	FRP12017
	55 X 120	2000	58	FRP12020
45 x 125	60 x 145	1700	57	FRP14517
	60 x 145	2000	67	FRP14520
50 x 150	65 x 170	2000	77	FRP17020

Dimensions in mm for basic model (for guidance only).