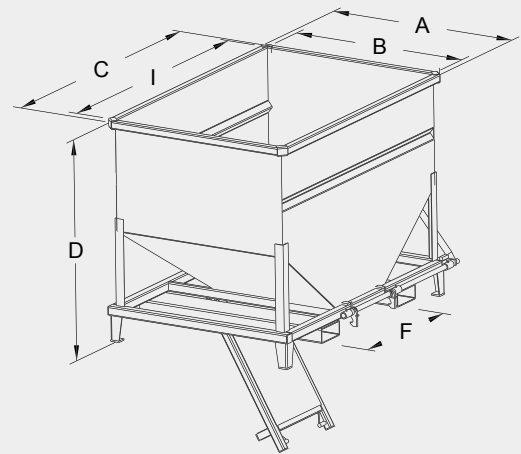
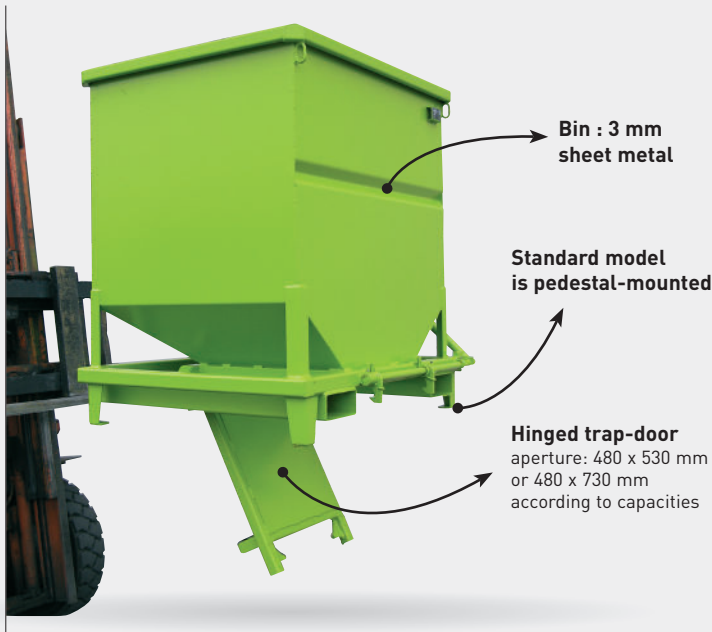


DROP-BOTTOM HOPPER



Channeled emptying through base.
Fork bottom lift.



CHARACTERISTICS

- Capacities from 750 to 1500 litres
- Empties via lower hinged trap-door.
Aperture :
 - 480 x 530 mm (750 and 1000 L models)
 - 480 x 730 mm (1250 and 1500 L models)
- Lever for manual opening, remote control possible
- Fork sleeves aperture : 170 x 70 mm.
Spacing (F) : 750 mm
- Safety chain included
- For customised products, please contact us

Capacity litres	Load kg	A	B	C	I	D	F	Weight kg	Painted ref.
750	1500	950	800	1350	1200	1095	750	195	FTP07000
1000	2000	950	800	1350	1200	1355	750	220	FTP10000
1250	2250	1150	1000	1645	1500	1190	750	250	FTP12000
1500	2500	1150	1000	1645	1500	1355	750	270	FTP15000

Dimensions in mm for basic model (for guidance only).