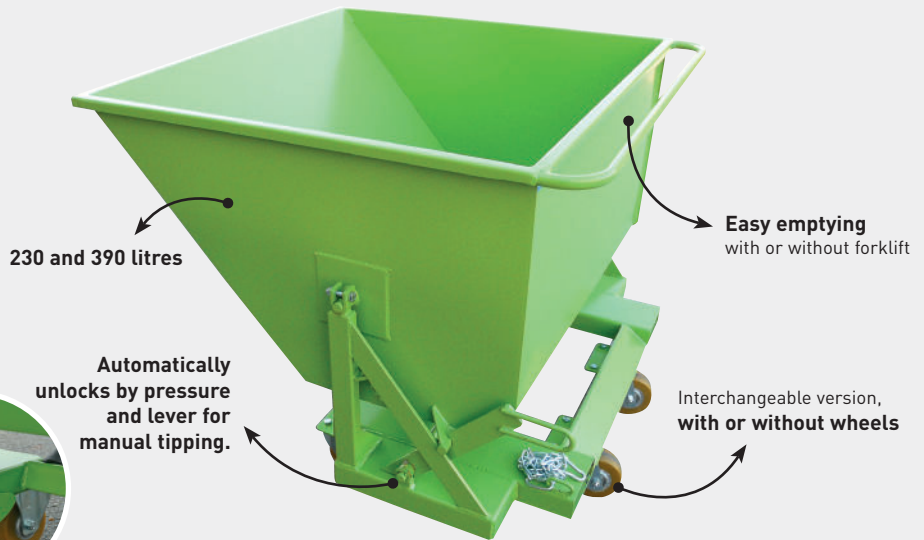
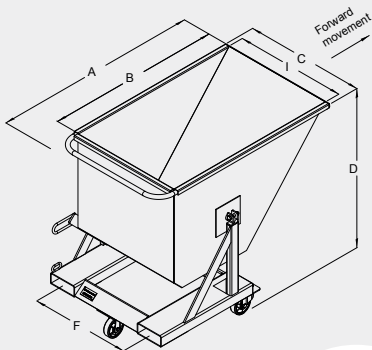


# AUTO TIPPING SKIP

## ESSENTIAL - SMALL CAPACITY



For light products – Load 750 kg.  
Low-cost.  
With automatic release.



Emptying with forklift



Version on base - ILP04000



Easy emptying without forklift

### CHARACTERISTICS

- Capacity : 230 or 390 litres
- Bin : 2 mm sheet metal  
Chassis : 4 mm sheet metal
- Rubber bumper dampens end of tipping process
- Safety chain included
- Fork sleeves can be modified on request
- Pedestal-mounted models (cannot be used with pallet trucks)
- Castor-mounted models (forward movement) have a handrail and Ø100 mm alu/polyurethane castors. 230 L : 2 fixed + 1 pivoting. 390 L : 2 fixed + 2 pivoting

Capacity litres	Load kg	Castors Ø	Movement	A	B	C	I	D	F	Fork sleeves ins.	Weight kg	Painted ref.
230	750	-	-	1100	950	715	600	840	540	142 x 52	64	ILP02000
230	750	125	Fwd.	1100	950	715	600	930	540	142 x 52	70	ILP02121
390	750	-	-	1100	950	1120	1000	840	700	142 x 52	84	ILP04000
390	750	125	Fwd.	1100	950	1120	1000	930	700	142 x 52	90	ILP04121

Dimensions in mm for basic model (for guidance only).