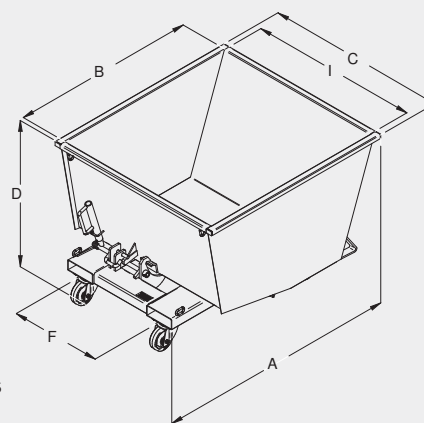


# TIPPING SKIP

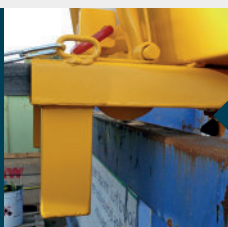
## ESSENTIAL - REDUCED-HEIGHT



- Automatic release.
- Load capacity = 1000 kg.
- Complete emptying (no filling requirements).
- Low-cost.



Tipped position



Automatic release by pressure



Pads dampen tipping process

### CHARACTERISTICS

- Capacity : 415 to 825 litres
- Bin : 2 and 3 mm sheet metal with reinforcements and 2-ply rims
- Safety latch for transport (disengage before tipping)
- Rubber bumpers dampen end of tipping process
- Automatically unlocks and tips by pressure and lever for manual tipping
- Fork sleeves and spacing (F) can be modified on request
- Pedestal-mounted models can be used with pallet trucks (under fork sleeves)
- Safety chain included
- Option on request

Capacity litres	Load kg	Castors Ø	A	B	C	I	D	F	Fork sleeves ins.	Weight kg	Painted ref.
415	1000	-	1255	1090	825	750	790	540	165 x 55	100	GOP04000
415	1000	125	1255	1090	825	750	790	540	165 x 55	108	GOP04120
550	1000	-	1255	1090	1075	1000	790	540	165 x 55	113	GOP05000
550	1000	125	1255	1090	1075	1000	790	540	165 x 55	120	GOP05120
690	1000	-	1255	1090	1325	1250	790	540	165 x 55	126	GOP07000
690	1000	125	1255	1090	1325	1250	790	540	165 x 55	134	GOP07120
825	1000	-	1255	1090	1575	1500	790	540	165 x 55	138	GOP08000
825	1000	125	1255	1090	1575	1500	790	540	165 x 55	146	GOP08120

Dimensions in mm for basic model. (for guidance only).