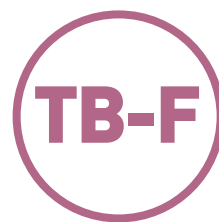


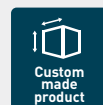
HOPPER FOR BIG-BAG ON FEET



Use with loading bucket to fill big-bags quickly.

Clean work space.

2 versions: with removable or fixed legs

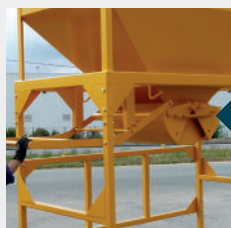
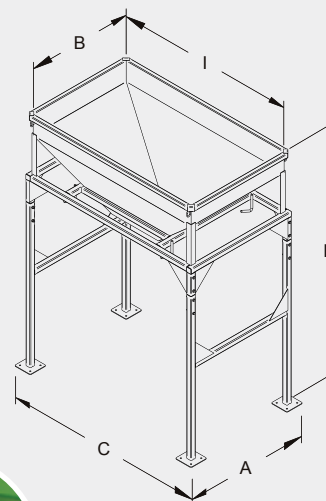


Choose your hopper according to your loading bucket dimensions

Adjustable legs height in option

Pre-drilled plates secure hopper to the ground (recommended)

4 quick release hooks for keeping Big-Bag



Optional dual helmet with reinforced frame



TB with optional reduced opening



TBP05000 with fixed, nonremovable legs

CHARACTERISTICS

- Tubular base reinforced with gusset plates
- Hopper: 3 mm sheet metal with reinforcing ribs
- Chute aperture: 500 x 500 mm
- Clearance below hooks: 1650 mm
- 1 model TBP05000, simplified structure with fixed legs, width 1.70m (no options possible)
- **Tip:** place a pallet under big-bag facilitating its removal, and never have burden on hooks
- Available options include: double flat helmet or flowregulating sliding gate, according to load and product type (contact us)
- Other sizes available on request

Capacity litres	Forward		Lateral		D	Hook spacing	Weight kg	Painted ref.
	Interior (I)	Overall (C)	Interior (B)	Overall (A)				
490	1700	1800	1000	1100	2030	1044 x 847	162	TBP05000
830	1700	1900	1000	1200	2355	1044 x 860	221	TBP08000
830	2100	2300	1000	1200	2355	1076 x 840	243	TBP10000
1220	2500	2700	1000	1200	2600	1086 x 846	287	TBP11000
1460	3000	3200	1000	1200	2630	1149 x 845	317	TBP13000

Dimensions in mm for basic model (for guidance only).