

# Facilitating your handling.

SKIPS

SHOVELS & BUCKETS

HOPPERS





ACCESSORIES

CUSTOM-MADE




# HANDLING SKIPS

## TIPPING SKIP

AG	High-capacity .....	27
AS	Vacuum-ready .....	14
BC	Open .....	32
BN	with front door .....	34
BS	Low tipping skip with front door .....	36
CG	Lifting beam attachment and handle .....	30
CP	Lifting beam .....	28
GA	Vacuum-ready skip - reduced-height .....	15
GCM	Tipping frame .....	31
GIE	Multi-use .....	08
 GIL	Essential small capacity .....	11
GIN	Reinforced .....	12
 GIO	Essential - Load 1000kg .....	10
GIR	For heavy products .....	13
GM	Polyethylene .....	26
 GO	Essential reduced-height .....	20
GS	Reduced-height .....	16
GS-D	Waste disposal .....	22
GSmulti	Compartments - tailor-made .....	23
GSS	Customised version .....	18
GS-V	Reduced-height viticulture .....	21
GX	Automatic .....	24
 GXO	Essential automatic .....	25
IA	Vacuum-ready sloped bottom .....	15
PL	Lifting beam for emptying CP skips .....	29
SQ	Open tipping skip for heavy loads .....	33

## DROP BOTTOM SKIP

CAP	With heel cage safety .....	38
FAP	Hinged stirrup safety .....	39
CAP/FAP	Options .....	40
FAP-C	With cover .....	42
 FAP-E	Essential - Working load 1000kg .....	41
FOP-FIP-FMP	For aggregates .....	43

## MORE MODELS

BR	For forklift with rotating head .....	46
BT	For telescopic fork-lift .....	45
FP	Sloped-bottom skip with front door .....	37
SF	Easel bottom opening .....	44



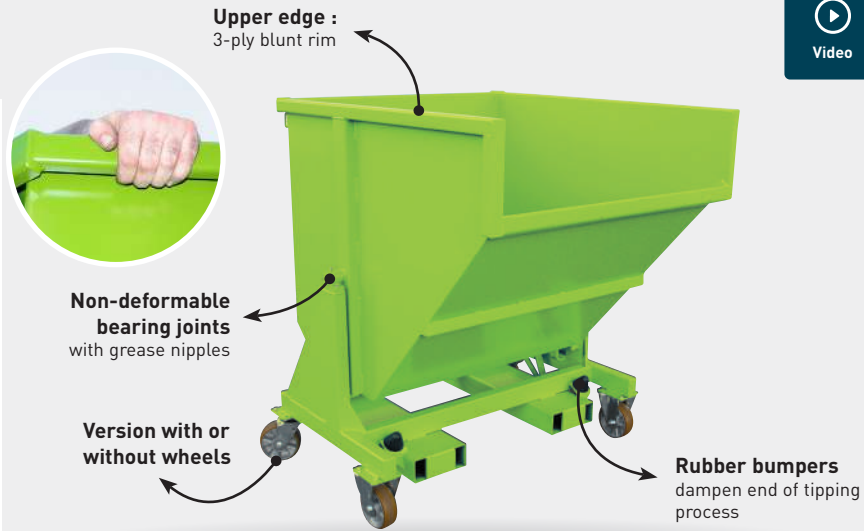
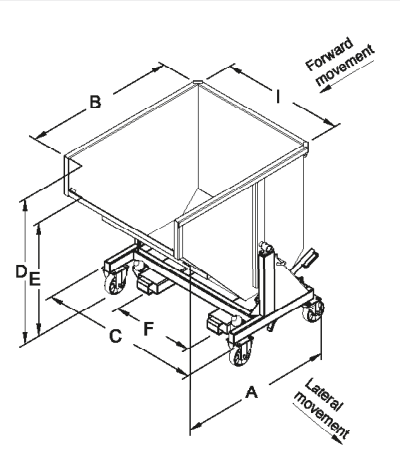
# TIPPING SKIP

## MULTI-USE

GIE

## OPTIONS AND FUNCTIONS OF USE

Versatile y maneuverable.  
Front-loading lip.  
Automatic release.



### CHARACTERISTICS

- Capacity : 480 to 2500 litres
- Bin : 3 and 4 mm sheet metal
- Rigid tubular chassis : 4 and 5 mm sheet metal
- Sealed cross-bars (improved interior pipe corrosion resistance)
- Automatically unlocks and tips on contact (anti-slip device). Lever for manual tipping
- Fork sleeves aperture (F) can be modified on request
- Pedestal-mounted models (except the 480 L model) can be used with pallet trucks (between fork sleeves)
- Castor-mounted models have 2 fixed + 2 pivoting alu/polyurethane castors and a handrail
- Safety chain included
- Options on request

Capacity litres	Load kg	Castors Ø	Movement	A	B	C	I	D	E	F	Fork sleeves aperture	Weight kg	Painted ref.
<b>70 series - Bin height 700 mm</b>													
480	1500	-	-	1250	1185	970	745	1015	835	420	165 x 55	145	IEP05000
480	1200	150	Fwd.	1315	1185	1030	745	1130	950	420	165 x 55	160	IEP05151
640	1500	-	-	1250	1185	1220	995	1015	835	730	165 x 55	160	IEP06000
640	1200	150	Fwd.	1315	1185	1280	995	1130	950	670	165 x 55	175	IEP06151
780	1500	-	-	1250	1185	1475	1250	1015	835	730	165 x 55	180	IEP08000
780	1200	150	Fwd.	1315	1185	1535	1250	1130	950	730	165 x 55	190	IEP08151
960	1800	-	-	1250	1185	1720	1495	1015	835	730	165 x 55	195	IEP09000
960	1800	160	Lat.	1250	1185	1860	1495	1130	950	730	165 x 55	210	IEP09161
<b>100 series - Bin height 1000 mm</b>													
960	1800	-	-	1340	1265	1240	995	1290	1025	740	170 x 70	220	IEP10000
960	1800	160	Fwd.	1395	1265	1295	995	1410	1145	660	170 x 70	235	IEP10161
1440	1800	-	-	1340	1265	1740	1495	1290	1025	900	170 x 70	265	IEP15000
1440	1800	160	Lat.	1340	1265	1830	1495	1410	1145	900	170 x 70	280	IEP15161
1920	1800	-	-	1300	1220	2240	1995	1310	1045	900	170 x 70	310	IEP20000
1920	1800	160	Lat.	1300	1220	2330	1995	1430	1165	900	170 x 70	325	IEP20161
<b>120 series - Bin height 1200 mm</b>													
1250	1800	-	-	1470	1320	1250	995	1530	1180	740	170 x 70	270	IEP12000
1250	1800	160	Fwd.	1470	1320	1295	995	1650	1300	660	170 x 70	285	IEP12161
1870	1800	-	-	1470	1320	1750	1495	1530	1180	900	170 x 70	318	IEP18000
1870	1800	160	Lat.	1470	1320	1830	1495	1650	1300	900	170 x 70	330	IEP18161
2500	1800	-	-	1470	1320	2250	1995	1530	1180	900	170 x 70	368	IEP25000
2500	1800	160	Lat.	1470	1320	2340	1995	1650	1300	900	170 x 70	380	IEP25161

Dimensions in mm for basic model (for guidance only). Lat.: Lateral movement - Fwd.: Forward movement.



# AUTO TIPPING SKIP

## ESSENTIAL - LOAD 1000KG

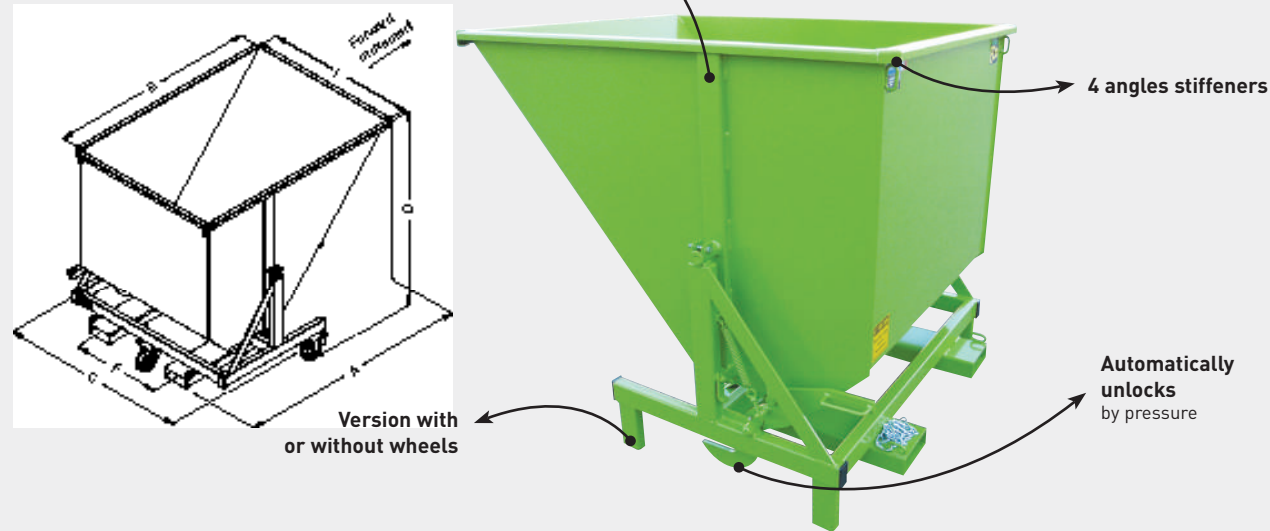


# AUTO TIPPING SKIP

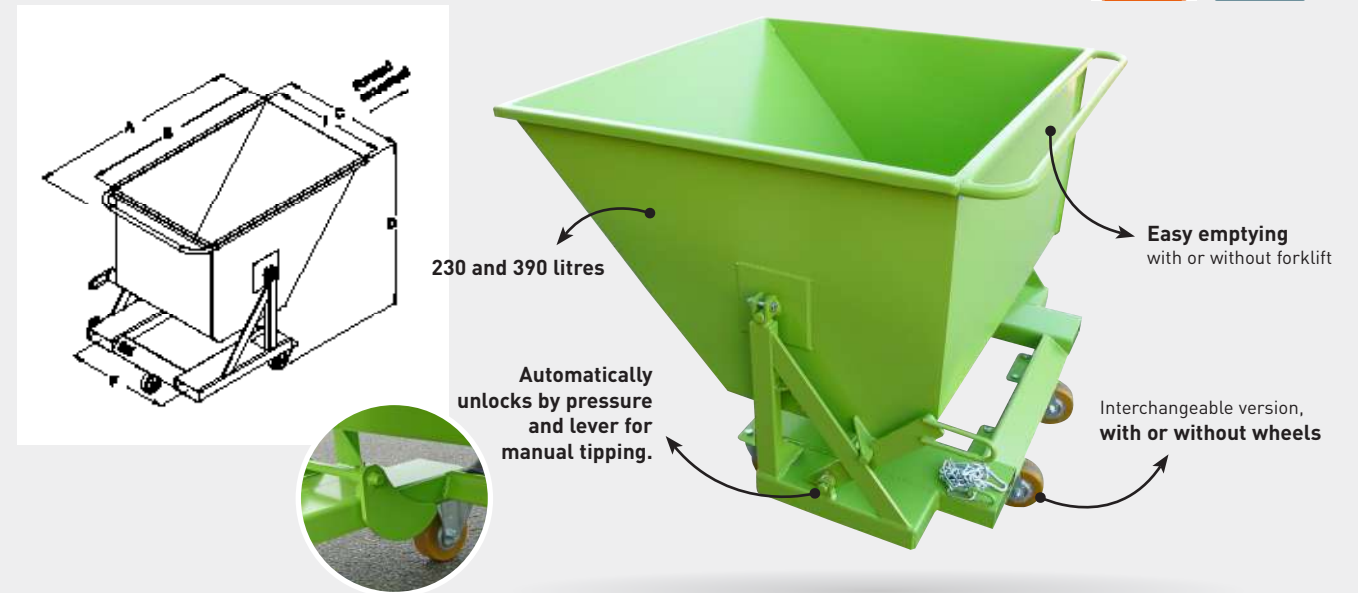
## ESSENTIAL - SMALL CAPACITY



Low-cost.  
Versatile.  
Automatic release.



For light products – Load 750 kg.  
Low-cost.  
With automatic release.



- ### CHARACTERISTICS
- Capacity : 685 to 1370 L
  - Bin : 3 mm sheet metal
  - Rubber bumpers dampen end of tipping process
  - Fork sleeves (4 mm sheet metal) and spacing F can be modified on request
  - Pedestal-mounted models can be used with pallet trucks (under fork sleeves)
  - Castor-mounted models (forward movement) have 3 Ø125 mm nylon castors (2 fixed + 1 pivoting)
  - Safety chain included
  - Options on request

Capacity litres	Load kg	Castors Ø	Movement	A	B	C	I	D	F	Fork sleeves ins.	Weight kg	Painted ref.
685	1000	-		1500	1355	965	750	1265	400	165 x 55	160	IOP07000
685	1000	125	Fwd.	1500	1355	1020	750	1265	400	165 x 55	165	IOP07123
910	1000	-		1500	1355	1215	1000	1265	600	165 x 55	180	IOP09000
910	1000	125	Fwd.	1500	1355	1270	1000	1265	600	165 x 55	185	IOP09123
1140	1000	-		1500	1355	1465	1250	1265	600	165 x 55	200	IOP11000
1140	1000	125	Fwd.	1500	1355	1520	1250	1265	600	165 x 55	205	IOP11123
1370	1000	-		1500	1355	1715	1500	1265	600	165 x 55	220	IOP14000
1370	1000	125	Fwd.	1500	1355	1770	1500	1265	600	165 x 55	225	IOP14123

Dimensions in mm for basic model (for guidance only).

- ### CHARACTERISTICS
- Capacity : 230 or 390 litres
  - Bin : 2 mm sheet metal  
Chassis : 4 mm sheet metal
  - Rubber bumper dampens end of tipping process
  - Safety chain included
  - Fork sleeves can be modified on request
  - Pedestal-mounted models (cannot be used with pallet trucks)
  - Castor-mounted models (forward movement) have a handrail and Ø100 mm alu/polyurethane castors. 230 L : 2 fixed + 1 pivoting. 390 L : 2 fixed + 2 pivoting

Capacity litres	Load kg	Castors Ø	Movement	A	B	C	I	D	F	Fork sleeves ins.	Weight kg	Painted ref.
230	750	-	-	1100	950	715	600	840	540	142 x 52	64	ILP02000
230	750	125	Fwd.	1100	950	715	600	930	540	142 x 52	70	ILP02121
390	750	-	-	1100	950	1120	1000	840	700	142 x 52	84	ILP04000
390	750	125	Fwd.	1100	950	1120	1000	930	700	142 x 52	90	ILP04121

Dimensions in mm for basic model (for guidance only).

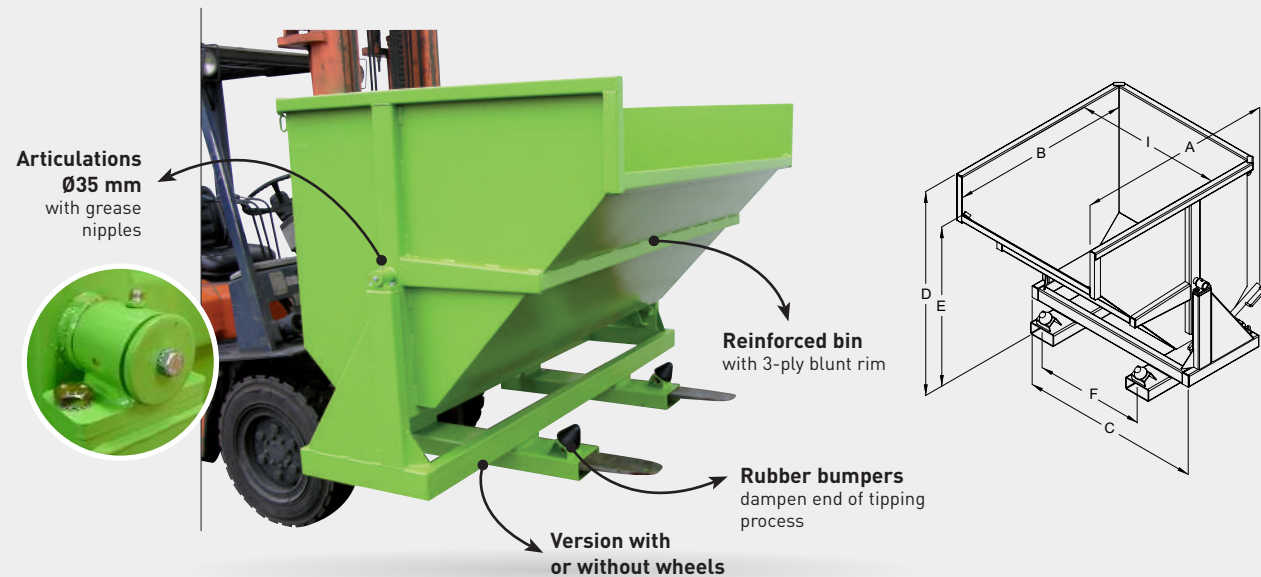
# REINFORCED AUTO TIPPING SKIP



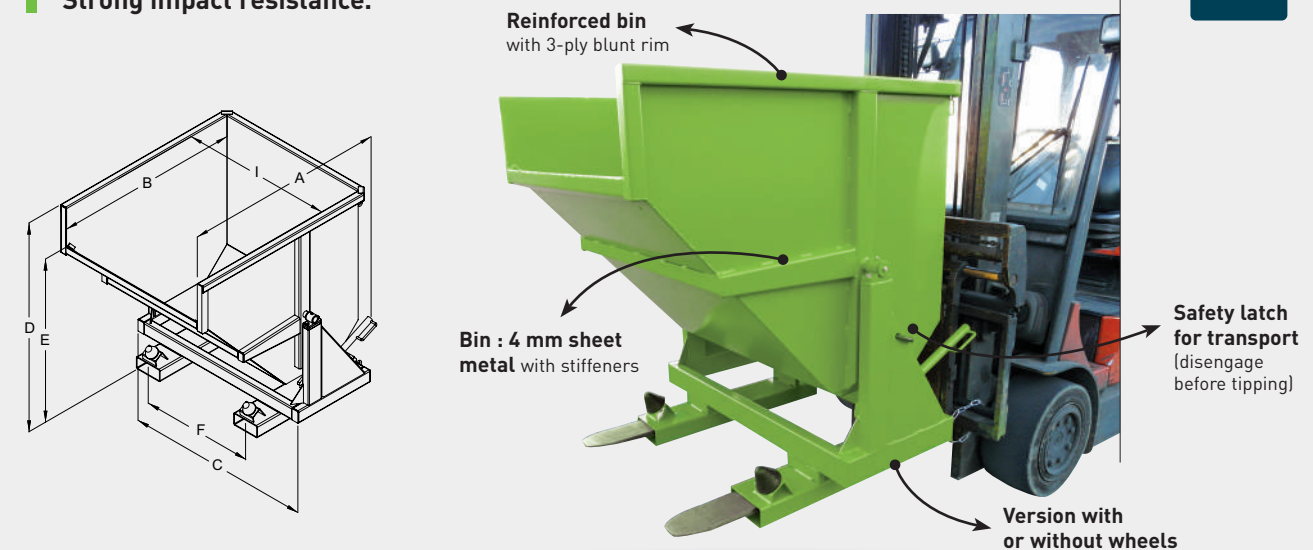
# AUTO TIPPING SKIP FOR HEAVY PRODUCTS



For heavy waste.  
(rubble, waste of building site, metals).  
Catch with the heel of the forks.



Intense use.  
Ideal for scrap, waste from demolition, block hones...  
Strong impact resistance.



- ### CHARACTERISTICS
- Capacity : 550 to 2500 litres
  - Reinforced bin with 3-ply blunt rim
  - Stiffeners reinforce bin front, sides and bottom
  - Rigid tubular chassis : 4 and 5 mm sheet metal
  - Safety latch for transport (disengage before tipping)
  - Open-end fork guides, except ref. INP25000
  - Lever for manual tipping
  - Fork sleeves can be modified on request. Aperture : 170 x 70 mm. Spacing : see F in table
  - Pedestal-mounted models can be used with pallet trucks (between fork sleeves)
  - Safety chain included
  - Options on request

Capacity litres	Load kg	Castors Ø	Movement	A	B	C	I	D	E	F	Weight kg	Painted ref.
<b>80 series - Bin height 800 mm</b>												
550	2000	-		1250	1200	1000	750	1250	1080	740	180	INP05000
550	1800	160 P	Fwd.	1280	1200	1000	750	1295	1125	310	194	INP05161
750	2000	-		1250	1200	1250	1000	1250	1080	740	205	INP08000
750	1800	160 P	Fwd.	1280	1200	1250	1000	1295	1125	560	217	INP08161
950	2500	-		1250	1200	1500	1250	1250	1080	900	220	INP10000
950	2400	160 F	Lat.	1280	1200	1500	1250	1295	1125	810	240	INP10162
1150	2500	-		1250	1200	1750	1500	1250	1080	900	240	INP12000
1150	2400	160 F	Lat.	1280	1200	1750	1500	1295	1125	900	260	INP12162
<b>100 series - Bin height 1000 mm</b>												
950	2500	-		1300	1220	1250	1000	1400	1140	740	230	INP11000
950	2400	160 F	Fwd.	1330	1220	1250	1000	1460	1210	560	250	INP11162
1450	2800	-		1300	1220	1750	1500	1400	1140	900	285	INP15000
1450	2400	160 F	Lat.	1330	1220	1750	1500	1460	1210	900	305	INP15162
1950	3000	-		1300	1220	2250	2000	1400	1140	900	320	INP20000
1950	2400	160 F	Lat.	1330	1220	2250	2000	1460	1210	900	340	INP20162
<b>120 series - Bin height 1200 mm</b>												
2500	3000	-		1470	1325	2250	2000	1625	1280	900	372	INP25000

Lat. : Lateral movement - Fwd. : Forward movement - Castors : P=Alu/polyurethane, C=Cast iron/polyurethane  
Dimensions in mm for basic model (for guidance only).

- ### CHARACTERISTICS
- Capacity : 550 to 1150 litres
  - Fork heel grip (optimizes offset)
  - Bin : 4 mm sheet metal with stiffeners
  - Rigid tubular chassis 100 x 50 x 4 mm
  - Ø35 mm pivoting axis has bearings and grease nipples
  - Rubber bumpers dampen end of tipping process
  - Lever for manual tipping
  - Fork sleeves aperture : 170 x 70 mm and spacing F can be modified on request
  - Pedestal-mounted models can be used with pallet trucks (between fork sleeves)
  - Castor-mounted models have 2 fixed + 2 pivoting castors and a handrail
  - Safety chain included
  - Options on request

Capacity litres	Load kg	Castors Ø	Movement	A	B	C	I	D	E	F	Weight kg	Painted ref.
<b>80 series - Bin height 800 mm</b>												
550	2500	-		1250	1200	1000	750	1250	1080	740	210	IRP05000
550	2400	160 F	Fwd.	1280	1200	1000	750	1295	1125	310	230	IRP05162
750	2500	-		1250	1200	1250	1000	1250	1080	740	235	IRP08000
750	2400	160 F	Fwd.	1280	1200	1250	1000	1295	1125	560	255	IRP08162
950	3000	-		1250	1200	1500	1250	1250	1080	900	285	IRP10000
950	2400	160 F	Lat.	1280	1200	1500	1250	1295	1125	810	305	IRP10162
1150	3000	-		1250	1200	1750	1500	1250	1080	900	320	IRP12000
1150	2400	160 F	Lat.	1280	1200	1750	1500	1295	1125	900	340	IRP12162

Lat. : Lateral movement - Fwd. : Forward movement - Dimensions in mm for basic model (for guidance only).

# VACUUM-READY SKIP TIPPING VERSION

AS

Dust/chip collector for vacuum extractor.  
Withstands up to 40 kPa.  
Versatile connections.



# VACUUM-READY TIPPING SKIP

IA

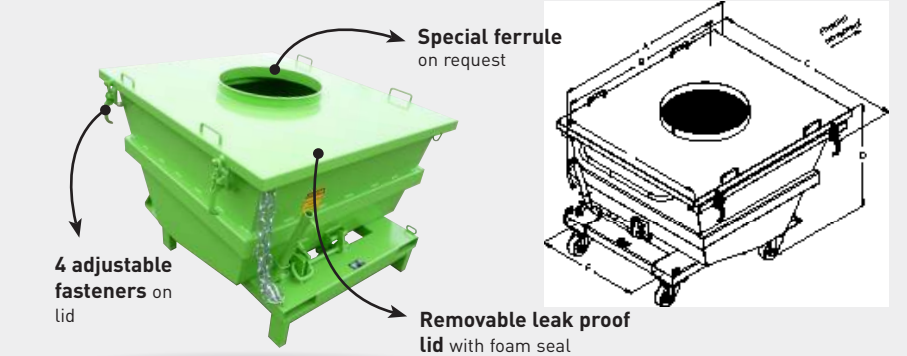
GA

Waste collector for vacuum extractor.  
Withstands up to 40 kPa.  
Versatile connections.

## TIPPING REDUCED-HEIGHT-GA

### CHARACTERISTICS

- Capacity : 520 litres
- Leak-proof bin : 3 and 4 mm sheet metal with non-deformable reinforcements
- Automatically unlocks and tips. Lever for manual tipping
- Pedestal-mounted models can be used with pallet trucks (under fork sleeves)
- Castor-mounted models (forward movement) have a handrail and 2 fixed + 2 pivoting Ø125 mm alu/polyurethane castors
- For customised products, please contact us
- Safety chain included



Capacity litres	Load kg	Castors Ø	A	B	C	I	D	F	Fork sleeves ins.	Weight kg	Painted ref.
520	1200	-	1370	1160	1200	1000	820	700	165 x 55	205	GAP05000
520	1200	125	1370	1160	1200	1000	850	700	165 x 55	215	GAP05121

Dimensions in mm for basic model (for guidance only). D : overall height not including ferrules



### CHARACTERISTICS

- Capacity : 550 to 1950 Litres
- Leakproof bin : 3 mm sheet metal with 4 mm non-deformable reinforcements
- Non-deformable bearing joints have grease nipples
- Safety latch for transport (disengage before tipping)
- Lever for manual tipping
- For specific connections, please contact us
- Fork sleeves can be modified on request. Aperture : 170 x 70 mm. Spacing : see F in table
- Safety chain included
- Pedestal-mounted models can be used with pallet trucks (between fork sleeves)
- Castor-mounted models have 2 fixed + 2 pivoting Ø160 mm castors and a handrail

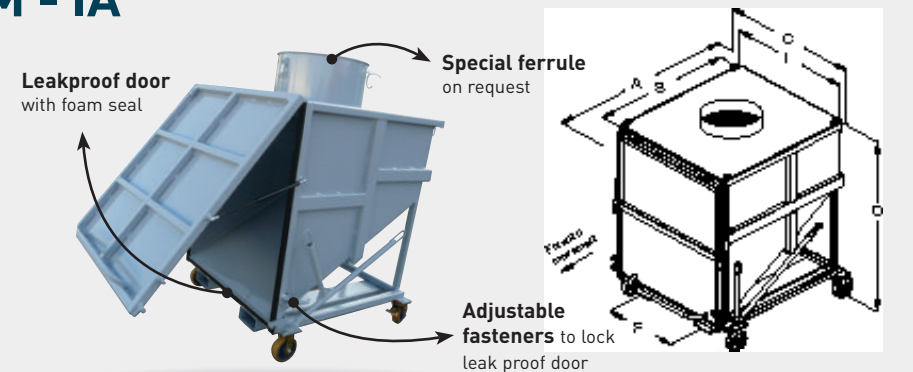
Capacity litres	Load kg	Castors Ø	Movement	A	B	C	I	D	F	Fork sleeves ins.	Weight kg	Painted ref.
550	2000	-	-	1380	1200	1000	745	1325	740	170 x 70	305	ASP05000
550	1800	160 P	Fwd.	1380	1200	1000	745	1375	310	170 x 70	317	ASP05161
750	2000	-	-	1380	1200	1250	1000	1325	740	170 x 70	328	ASP08000
750	1800	160 P	Fwd.	1380	1200	1250	1000	1375	560	170 x 70	340	ASP08161
950	2500	-	-	1400	1220	1250	1000	1480	740	170 x 70	398	ASP11000
950	2400	160 C	Fwd.	1400	1220	1250	1000	1545	560	170 x 70	418	ASP11162
1450	2800	-	-	1400	1220	1750	1500	1480	900	170 x 70	510	ASP15000
1450	2400	160 C	Lat.	1400	1220	1750	1500	1545	900	170 x 70	530	ASP15162
1950	3000	-	-	1400	1220	2250	2000	1480	900	170 x 70	609	ASP20000
1950	2400	160 C	Lat.	1400	1220	2250	2000	1545	900	170 x 70	629	ASP20162

Castors : P= Alu/polyurethane, C=Cast iron/polyurethane. D : Overall height not including ferrule. Lat. : Lateral movement - Fwd. : Forward movement  
Dimensions in mm for basic model (for guidance only)

## SLOPED BOTTOM - IA

### CHARACTERISTICS

- Capacity : 530, 1000 and 1500 litres
- Bin : 3 mm sheet metal with 4 mm non-deformable reinforcements
- Fixed welded leak proof lid with rimless ferrule
- Lever for manual door opening
- Safety chain included
- Pedestal-mounted models can be used with pallet trucks (between fork sleeves)
- Castor-mounted models (forward movement) have a handrail and 2 fixed + 2 pivoting Ø160 mm alu/polyurethane castors
- For customised products, please contact us



Capacity litres	Load kg	Castors Ø	A	B	C	I	D	F	Fork sleeves ins.	Weight kg	Painted ref.
530	2000	-	1030	800	1200	1000	1025	740	170 x 70	240	IAP05000
530	1800	160	1110	800	1200	1000	1155	580	170 x 70	252	IAP05161
1000	2000	-	1340	1160	1200	1000	1370	740	170 x 70	337	IAP10000
1000	1800	160	1420	1160	1200	1000	1485	620	170 x 70	349	IAP10161
1500	2000	-	1340	1160	1710	1500	1370	740	170 x 70	400	IAP15000
1500	1800	160	1420	1160	1710	1500	1485	740	170 x 70	412	IAP15161

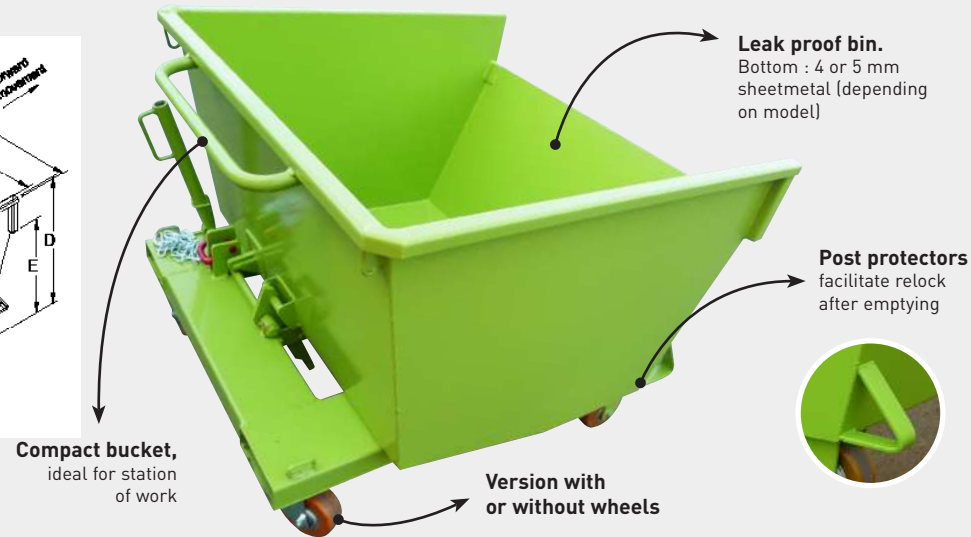
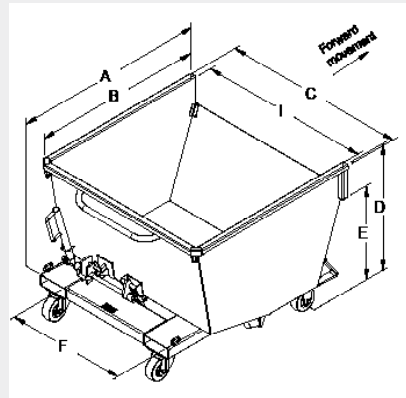
Dimensions in mm for basic model (for guidance only). D : overall height not including ferrules

# TIPPING SKIP REDUCED-HEIGHT



## OPTIONS AND FUNCTIONS OF USE

**Automatic release.**  
**Complete emptying (no filling requirements).**  
**Perfect for collecting machine cuttings, scraps, sludge, marc, etc.**



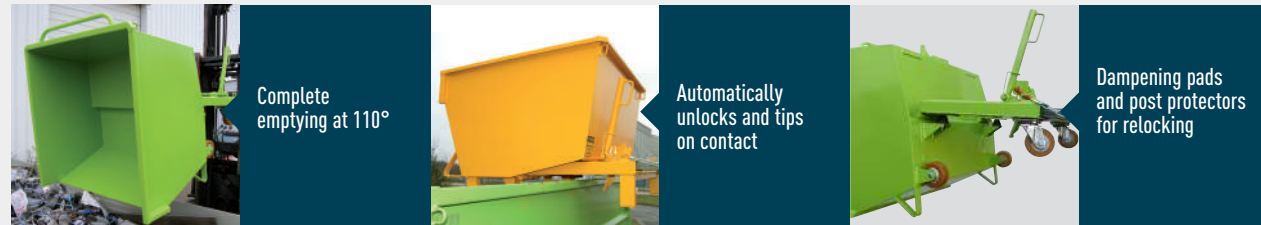
**Compact bucket,**  
ideal for station  
of work

*Customised fork sleeves for  
stackers with suppression of  
the automatic release*



### SPECIAL MANUFACTURING CUSTOM-MADE

See GSS pages 18-19



### CHARACTERISTICS

- Capacity : 200 to 1500 litres
- Articulation joints at end of fork sleeves have extra-large bearings and grease nipples
- Integrated tubular chassis : 4 and 5 mm sheet metal
- Safety latch for transport (disengage before tipping)
- Automatically unlocks and tips on contact (anti-slip device) and lever for manual tipping
- Fork sleeves and spacing (F) can be modified on request
- Pedestal-mounted models can be used with pallet trucks (under fork sleeves)
- Safety chain included
- Castor-mounted models forward movement with 2 fixed + 2 pivoting castors and a handrail

Capacity litres	Load kg	Castors Ø	A	B	C	I	D	E	F	Fork sleeves ins.	Weight kg	Painted ref.
200	1200	-	955	815	785	720	615	415	480	165 x 55	85	GSP02000
200	1200	125N	955	815	785	720	630	430	480	165 x 55	89	GSP02120
300	1200	-	955	815	915	850	675	475	480	165 x 55	95	GSP03000
300	1200	125N	955	815	915	850	690	485	480	165 x 55	100	GSP03120
500	1200	-	1145	1000	1080	1000	775	620	700	165 x 55	136	GSP05000
500	1200	125P	1145	1000	1080	1000	790	635	700	165 x 55	145	GSP05121
700	1200	-	1170	1035	1280	1200	870	665	700	165 x 55	147	GSP07000
700	1200	125P	1170	1035	1280	1200	890	675	700	165 x 55	156	GSP07121
1000	2000	-	1565	1440	1280	1200	930	785	700	170 x 70	213	GSP10000
1000	1200	150P	1565	1440	1280	1200	985	840	700	170 x 70	223	GSP10151
1500	2000	-	1690	1540	1280	1200	1160	940	700	170 x 70	253	GSP15000
1500	1800	160P	1690	1540	1280	1200	1225	1000	700	170 x 70	264	GSP15161

Dimensions in mm for basic model (for guidance only). Castors: N=nylon RB, P=alu/polyurethane. Loaded skip center of gravity at end of forks.



# TIPPING SKIP

## CUSTOMISED VERSION



Tell us what you need and we'll make the skip to fit!

- Versatile, for collecting all kinds of waste (metal scraps, chips, wood, paper, sludge, marc, etc.).
- Various dimensions available.
- Painted, galvanized or stainless steel.
- Pedestal- or castor-mounted.
- Hydraulic or manual tipping.



# GSS SKIP

## CUSTOMISATION FORM



FOR A FREE ESTIMATE, PLEASE FILL IN THE FORM BELOW AND RETURN IT TO US

Company : .....  
 Contact/Name : .....  
 Address : .....  
 Post code : ..... City : .....  
 Tel. : ..... Fax : ..... E-mail : .....

### YOUR TECHNICAL REQUIREMENTS

Type of products handled : .....

Estimated load : .....

FINISH : Painted  Galvanized  Stainless steel  Food-safe paint

TYPE : Pedestal-mounted model  Castor-mounted model  2 fixed + 2 pivoting  4 pivoting   
 Forward movement  Lateral movement

For use with : Forklift  Stacker

Tipping system : Manual  Hydraulic

QUANTITY : .....

DESIRED OPTIONS AND/OR COMMENTS : .....

### DIMENSIONS REQUIRED

A (overall depth) : .....

or

B (interior depth) : .....

C (overall width) : .....

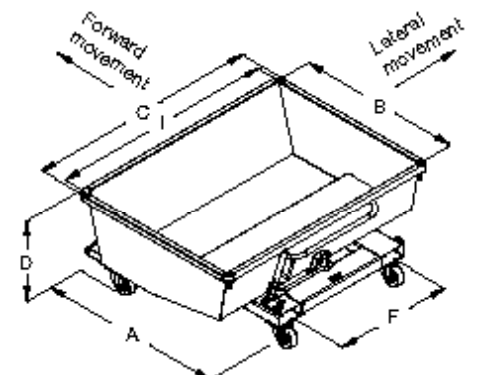
or

I (interior width) : .....

D (overall height) : .....

F (fork sleeves spacing) : .....

Dimensions of your forks : ..... X .....





# TIPPING SKIP

## ESSENTIAL - REDUCED-HEIGHT



# VITICULTURE TIPPING SKIP

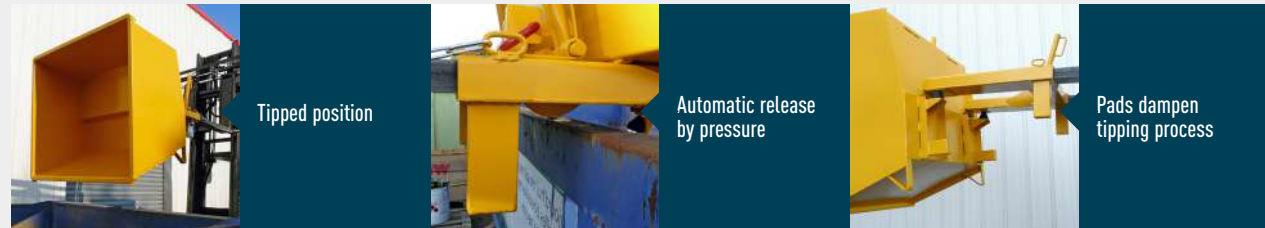
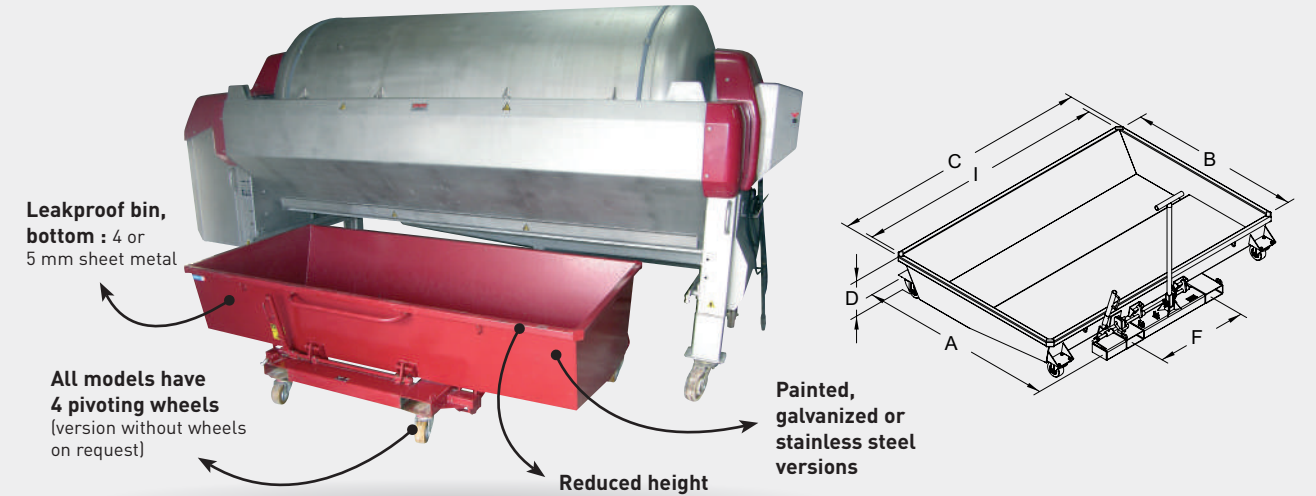
## REDUCED-HEIGHT



Automatic release.  
Load capacity = 1000 kg.  
Complete emptying (no filling requirements).  
Low-cost.



Perfect for under presses.  
For all applications with reduced height (shear, massicot, filter presses).  
Prehensible by forks of forklift truck.



- ### CHARACTERISTICS
- Capacity : 415 to 825 litres
  - Bin : 2 and 3 mm sheet metal with reinforcements and 2-ply rims
  - Safety latch for transport (disengage before tipping)
  - Rubber bumpers dampen end of tipping process
  - Automatically unlocks and tips by pressure and lever for manual tipping
  - Fork sleeves and spacing (F) can be modified on request
  - Pedestal-mounted models can be used with pallet trucks (under fork sleeves)
  - Safety chain included
  - Option on request

Capacity litres	Load kg	Castors Ø	A	B	C	I	D	F	Fork sleeves ins.	Weight kg	Painted ref.
415	1000	-	1255	1090	825	750	790	540	165 x 55	100	GOP04000
415	1000	125	1255	1090	825	750	790	540	165 x 55	108	GOP04120
550	1000	-	1255	1090	1075	1000	790	540	165 x 55	113	GOP05000
550	1000	125	1255	1090	1075	1000	790	540	165 x 55	120	GOP05120
690	1000	-	1255	1090	1325	1250	790	540	165 x 55	126	GOP07000
690	1000	125	1255	1090	1325	1250	790	540	165 x 55	134	GOP07120
825	1000	-	1255	1090	1575	1500	790	540	165 x 55	138	GOP08000
825	1000	125	1255	1090	1575	1500	790	540	165 x 55	146	GOP08120

Dimensions in mm for basic model (for guidance only).

### CHARACTERISTICS

- Capacity : 590 to 1370 litres
- Articulation joints have extra-large bearings and grease nipples
- Safety latch for transport (disengage before tipping)
- Automatically unlocks and tips on contact (A). Lever for manual tipping (M). See table for details
- Rubber bumpers and springs dampen end of tipping process
- Safety chain included
- Fork sleeves aperture and spacing (F) can be modified on request
- Ø125 mm alu/polyurethane castors. 360 and 450 mm-high skips have a drawbar. 600 mm-high skips have a handrail
- For customised products, please fill in the customization form on page 17
- Available options include: pouring lip, grille with drain and square threaded plug, and polyurethane food-safe paint

Capacity litres	Load kg	Release	A	B	C	I	D	F	Fork sleeves ins.	Weight kg	Painted ref.
590	1200	A + M	1280	1100	1585	1500	600	800	170 x 70	170	GSP20421
670	1200	M	1290	1100	2085	2000	450	800	170 x 70	196	GSP21421
785	1200	M	1705	1500	2285	2200	360	800	170 x 70	280	GSP22421
835	1200	M	1290	1100	2585	2500	450	800	170 x 70	235	GSP23421
1075	1200	M	1705	1500	3085	3000	360	800	170 x 70	345	GSP24421
1095	1200	A + M	1680	1500	2085	2000	600	800	170 x 70	275	GSP25421
1370	1200	A + M	1680	1500	2585	2500	600	800	170 x 70	316	GSP26421

Dimensions in mm for basic model (for guidance only). Loaded skip center of gravity at end of forks.

# DUMPING BUCKET WASTE DISPOSAL

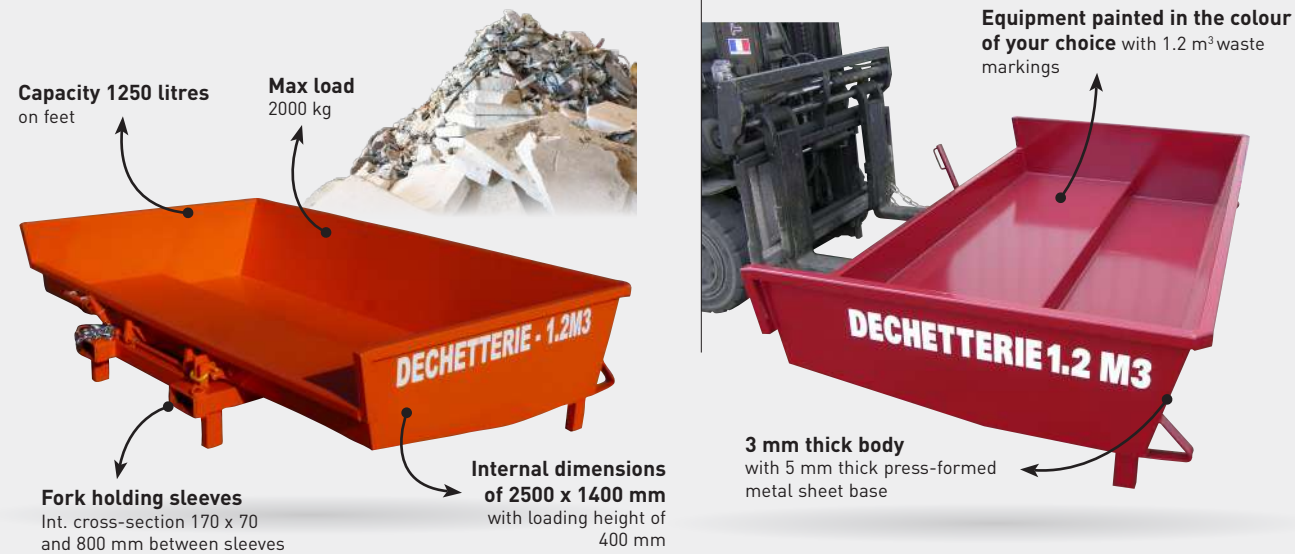


# DUMPING BUCKET WITH COMPARTMENTS



Ideal for carrying building waste.  
Low height for emptying into tilting flat-bed trucks.

Ref. GSP90000



In accordance with the decree of 1st January 2017 implementing Article 93 of the Energy Transition Law published in the Official Journal on 12th March 2016, it is now compulsory to recover building waste.

## CHARACTERISTICS

- Ref. GSP90000
- Automatic activation of tipping by switch and manual control by lever
- Model on feet with space for pallet truck under the sleeves
- Supplied with one 8 diam. safety chain
- Overall dimensions : 2582 x 1579 x 600 mm high
- With six 10 diam. holes on the base of the body for rainwater drainage
- Weight : 290 kg
- Galvanized version on request
- For a tailor-made product, contact us



Tell us your technical requirements and we will make you tailor-made dumping buckets !

Two or three containers on a single chassis.  
Independent tilting by manual control lever.  
Multi-use dumping bucket.  
Painted, galvanized or stainless steel finish.

Version with or without wheels.  
Options on request.  
Made to request.

## TRIPLE BIN VERSION (examples of configurations)



## DOUBLE BIN VERSION (examples of configurations)



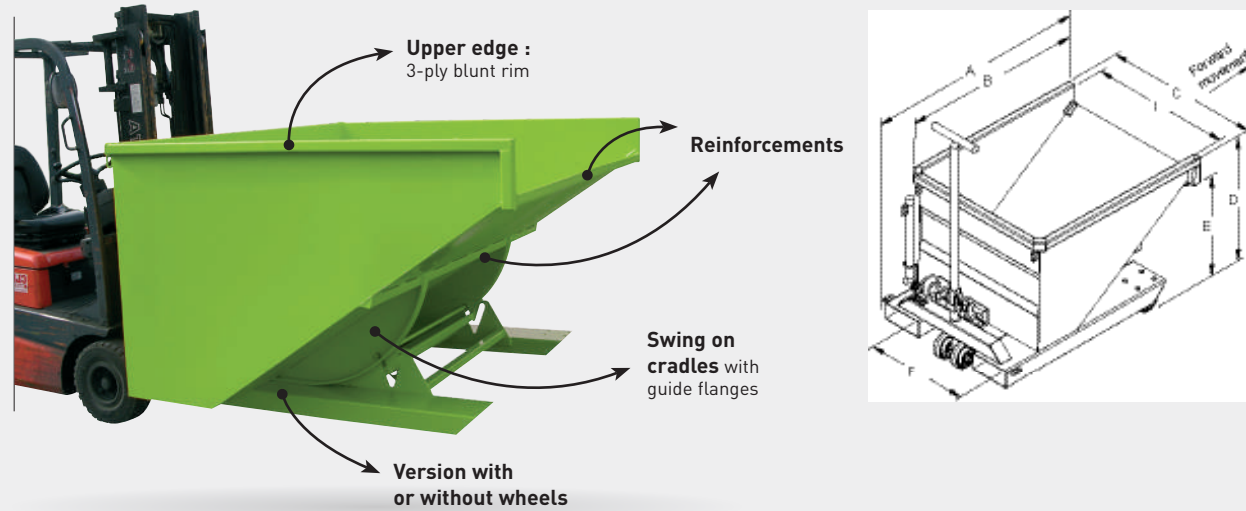
# AUTOMATIC SKIP



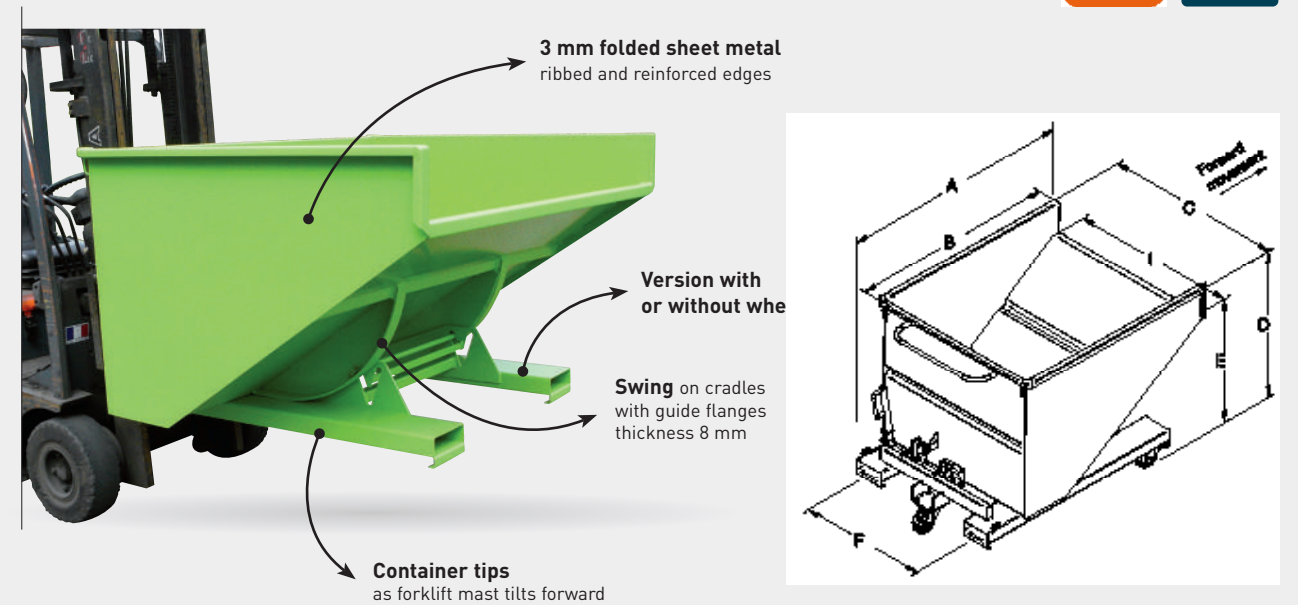
# AUTOMATIC SKIP ESSENTIAL - LOAD 1000KG



Tips and relocks by forklift mast tilts.  
Automatic release.



Tips and relocks by forklift mast tilts.  
Automatic release.



## CHARACTERISTICS

- Capacity : 300 to 2550 litres
- Bin : 3 mm sheet metal
- Rigid tubular chassis : 4 mm sheet metal. Guide flanges : 6 or 8 mm sheet metal, integrated end-stop
- Safety latch for transport (disengage before tipping)
- Automatically unlocks and tips on contact (anti-slip device) and lever for manual tipping
- Fork sleeves can be modified on request. Aperture 200 x 80 mm. Spacing : see F in table
- Pedestal-mounted models (except the 300 L model) can be used with pallet trucks (between fork sleeves)
- Castor-mounted models (forward movement) have 2 fixed castors + 2 castors on a directional drawbar
- Safety chain included
- Options on request

Capacity litres	Load kg	Castors Ø	A	B	C	I	D	E	F	Weight kg	Painted ref.
300	1200	-	1180	965	830	750	700	590	545	120	GXP03000
300	1200	125N	1190	965	830	750	770	670	545	130	GXP03120
500	1200	-	1295	1080	1080	1000	790	650	795	155	GXP05000
500	1200	125P	1300	1080	1080	1000	855	720	795	166	GXP05121
850	1500	-	1660	1440	1080	1000	1000	840	795	218	GXP08000
850	1500	160P	1690	1440	1080	1000	1115	960	795	228	GXP08161
1030	1500	-	1660	1440	1280	1200	1000	840	795	230	GXP10000
1030	1500	160P	1690	1440	1280	1200	1105	970	795	243	GXP10161
1270	1800	-	1935	1720	1080	1000	1180	980	795	270	GXP12000
1270	1800	160P	1965	1720	1080	1000	1300	1100	795	285	GXP12161
1530	1800	-	1935	1720	1280	1200	1180	980	795	289	GXP15000
1530	1800	160P	1965	1720	1280	1200	1300	1100	795	300	GXP15161
1910	2000	-	1935	1720	1580	1500	1180	980	795	314	GXP18000
1910	1800	160P	1965	1720	1580	1500	1300	1100	795	326	GXP18161
2550	2000	-	1935	1720	2080	2000	1180	980	795	360	GXP25000
2550	1800	160P	1965	1720	2080	2000	1300	1100	795	373	GXP25161

Dimensions in mm for basic model (for guidance only). Castors : N = Nylon, P = alu/polyurethane

## CHARACTERISTICS

- Capacities from 510 to 1020 litres
- Automatically unlocks and tips on contact with container or manually using lever
- Fork sleeves aperture 165 x 55 mm and spacing (F) can be modified on request
- Pedestal mounted models can be used with pallet trucks between fork sleeves (except the 500 litres model)
- Castor-mounted models equipped with 2 fixed castors and 1 pivoting castor Ø125 nylon, with handrail
- Safety chain included
- Options on request

Capacity litres	Load kg	Castors Ø	A	B	C	I	D	E	F	Weight kg	Painted ref.
510	1000	-	1430	1230	835	750	940	745	540	160	XOP05000
510	1000	125	1430	1230	835	750	1065	870	540	165	XOP05123
680	1000	-	1430	1230	1085	1000	940	745	760	178	XOP07000
680	1000	125	1430	1230	1085	1000	1065	870	760	183	XOP07123
850	1000	-	1430	1230	1335	1250	940	745	760	192	XOP08000
850	1000	125	1430	1230	1335	1250	1065	870	760	197	XOP08123
1020	1000	-	1430	1230	1585	1500	940	745	760	205	XOP10000
1020	1000	125	1430	1230	1585	1500	1065	870	760	210	XOP10123

Dimensions in mm for basic model (for guidance only).

# TIPPING SKIP

## POLYETHYLENE

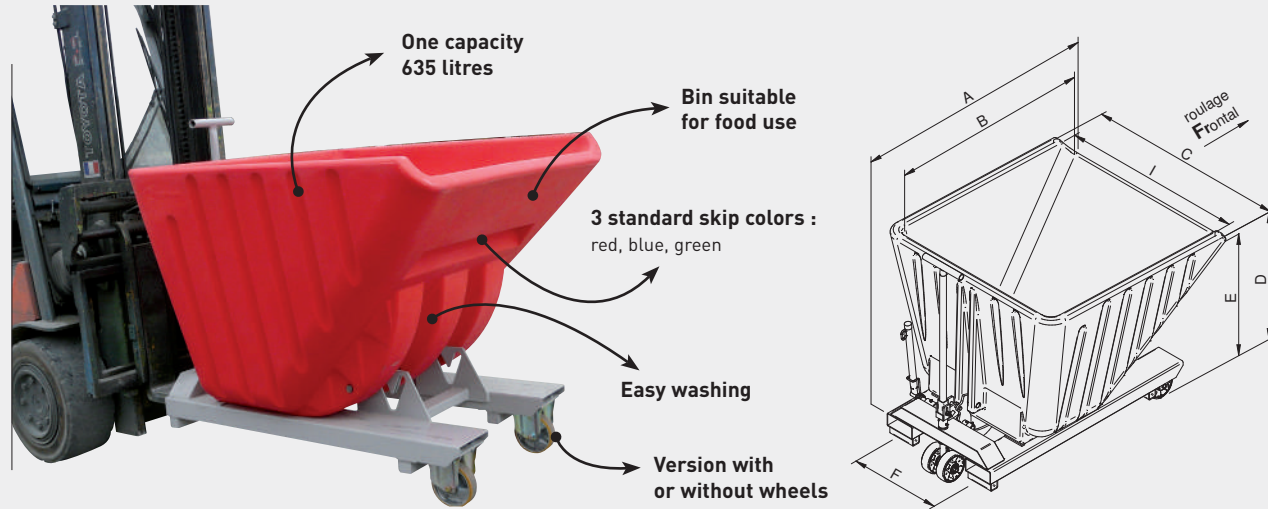


# TIPPING SKIP

## HIGH-CAPACITY



**Corrosion proof.**  
Ideal for liquids or wet products.  
Painted, galvanized or stainless steel chassis.



### CHARACTERISTICS

- Load capacity : 1000 kg
- Robust, double-walled, PE skip thickness 8 mm
- Safety tipping lock prevents unintended use
- Tipping starts automatically on contact and manually by pulling the lever
- Skip is tipped by tilting the forklift mast forward
- Automatically returns to locked position when tilting mast backwards
- Fork sleeves : Aperture : 170 x 70 mm. Spacing (F) : 560 mm
- Pedestal mounted models (no use of pallet truck)
- Castor-mounted models have 2 fixed and 2 twinned castors, Ø160 aluminium polyurethane with steering bar – front movement
- Options: mounting onto nylon, treaded or steel wheels, attachment of coupling bar

Capacity litres	Load kg	Castors Ø	Skip color	A	B	C	I	D	E	F	Weight kg	Painted chassis ref.
635	1000	-	red	1510	1200	1200	1080	1035	945	560	150	GMP03000
635	1000	160	red	1510	1200	1200	1080	1120	1030	560	162	GMP03161
635	1000	-	blue	1510	1200	1200	1080	1035	945	560	150	GMP05000
635	1000	160	blue	1510	1200	1200	1080	1120	1030	560	162	GMP05161
635	1000	-	green	1510	1200	1200	1080	1035	945	560	150	GMP06000
635	1000	160	green	1510	1200	1200	1080	1120	1030	560	162	GMP06161

Dimensions in mm for basic model (for guidance only).

**High-capacity.**  
For low-density, voluminous or bulky waste.



### CHARACTERISTICS

- Capacity : 1300 to 4600 litres
- Bin : 3 mm sheet metal with reinforcements
- Upper edge : 3-ply blunt rim
- Safety latch for transport (disengage before tipping)
- Lever for manual tipping (automatic on request)
- Fork sleeves : reinforced entry points, aperture 170 x 70 mm and fork spacing (F) can be modified on request
- Pedestal-mounted models can be used with pallet trucks (between fork sleeves)
- Wheeled model with 2 fixed and 2 swivelling wheels with handrail - front wheel drive
- Options: sliding lid, hydraulic tilting...

Capacity litres	Load kg	Wheels Ø	A	B	C	I	D	E	F	Weight kg	Painted ref.
<b>90 series - Int. bin height 900 mm</b>											
1300	2000	-	2000	1855	1155	1000	1190	1055	730	308	AGP13000
1300	2000	160F	2020	1855	1155	1000	1395	1260	730	330	AGP13162
2000	2000	-	2000	1855	1630	1500	1190	1055	900	362	AGP20000
2000	2000	200F	2020	1855	1630	1500	1290	1155	640	416	AGP20202
2600	2300	-	2000	1855	2130	2000	1190	1055	900	440	AGP30000
2600	2300	200F	2020	1855	2085	2000	1290	1155	900	495	AGP30202
<b>130 series - Int. bin height 1300 mm</b>											
3800	2600	-	2090	1945	2130	2000	1510	1130	900	502	AGP40000
3800	2400	200F	2115	1945	2130	2000	1610	1225	900	556	AGP40202
<b>130 series - Int. bin height 1300 mm</b>											
4600	3000	-	2090	1950	2330	2200	1610	1125	900	569	AGP50000
4600	2400	200F	2115	1950	2330	2200	1710	1225	900	616	AGP50202

Dimensions in mm for basic model (for guidance only). Centre of gravity (1200 forks) = 1000

# TIPPING SKIP WITH LIFTING BEAM



# LIFTING BEAM FOR EMPTYING CP SKIPS

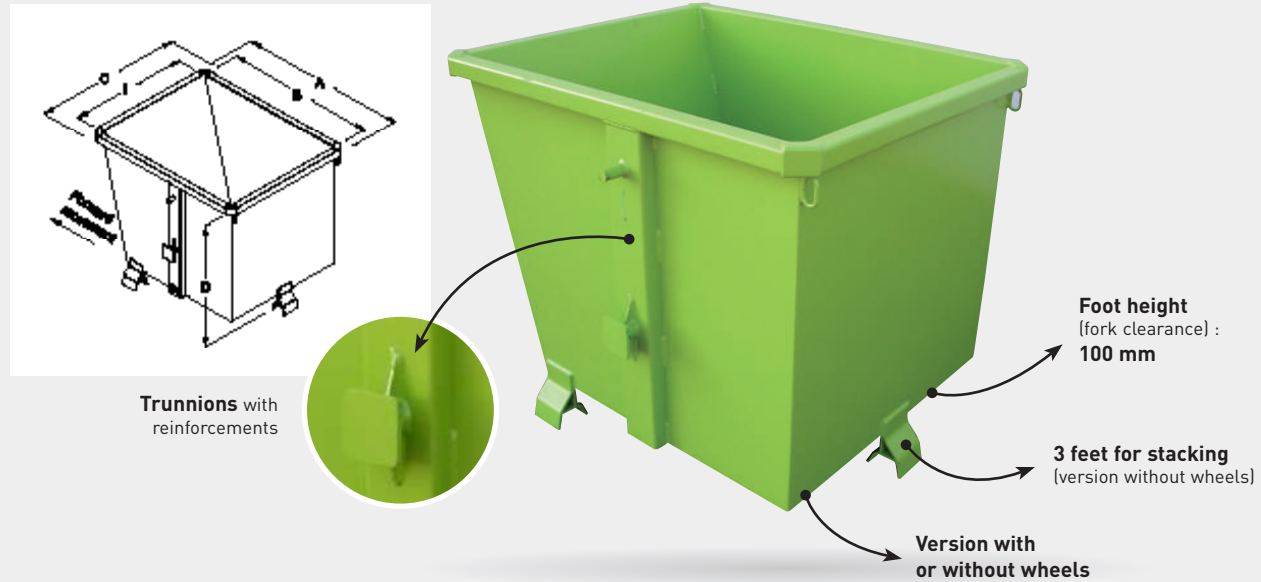


For use with PL lifting beam (emptying).  
Economical.  
Smooth sides.



Handling by forks of forklift truck.  
2 models : Upper and lower grip.  
Approved by body of control.

**ATTENTION :** Prior to use, accessory + forklift / crane acceptance procedures must be carried out by your authorised inspection body.



**CHARACTERISTICS**

- Capacity : 575 to 1000 litres
- PL lifting beam inverts and empties skip
- Bin : 3 mm reinforced sheet metal
- Smooth sides and sloped front panel facilitate emptying and maintenance
- Fixed-mounted models (3 feet) designed for stacking (3 levels max)
- Castor-mounted models (non-stackable - forward movement) have 2 fixed + 2 pivoting Ø125 alu/polyurethane castors and a handrail
- Options on request

Capacity litres	Load kg	Castors Ø	A	B	C	I	D	Weight kg	Painted ref.
575	2000	-	1110	1000	990	800	900	108	CPP06000
575	1200	125	1165	1000	990	800	965	117	CPP06121
700	2000	-	1310	1200	990	800	900	120	CPP07000
700	1200	125	1365	1200	990	800	965	129	CPP07121
880	2000	-	1310	1200	1190	1000	900	134	CPP09000
880	1200	125	1365	1200	1190	1000	965	143	CPP09121
1000	2000	-	1310	1200	1330	1140	900	143	CPP10000
1000	1200	125	1365	1200	1330	1140	965	152	CPP10121

Dimensions in mm for basic model (for guidance only).

## PL model UPPER GRIP SYSTEM



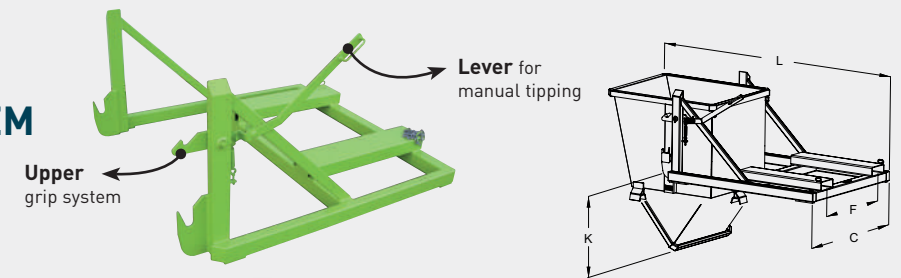
**CHARACTERISTICS**

- Standard model used with a CP bin
- Support foot for horizontal stability

Capacity litres skip CP	L	C	K	F	Fork sleeves ins.	Weight kg	Painted ref.
575	1395	1080	1745	765	170 x 70	60	PLP09000
700	1495	1080	1825	765	170 x 70	60	PLP09000
880	1495	1280	1825	765	170 x 70	65	PLP10000
1000	1495	1420	1825	765	170 x 70	76	PLP11000

Fork sleeves and spacing F can be modified on request - Dimensions in mm for basic model (for guidance only)

## PL model LOWER GRIP SYSTEM



**CHARACTERISTICS**

- Use this model when forklift height is insufficient
- Centre of gravity : 1750 mm (check forklift load capacity)

Capacity litres skip CP	L	C	K	F	Fork sleeves ins.	Weight kg	Painted ref.
575	2205	1185	715	785	170 x 70	110	PLP20000
700	2305	1185	855	785	170 x 70	110	PLP20000
880	2305	1380	855	785	170 x 70	114	PLP30000
1000	2305	1520	855	785	170 x 70	117	PLP40000

Fork sleeves and spacing F can be modified on request - Dimensions in mm for basic model (for guidance only)



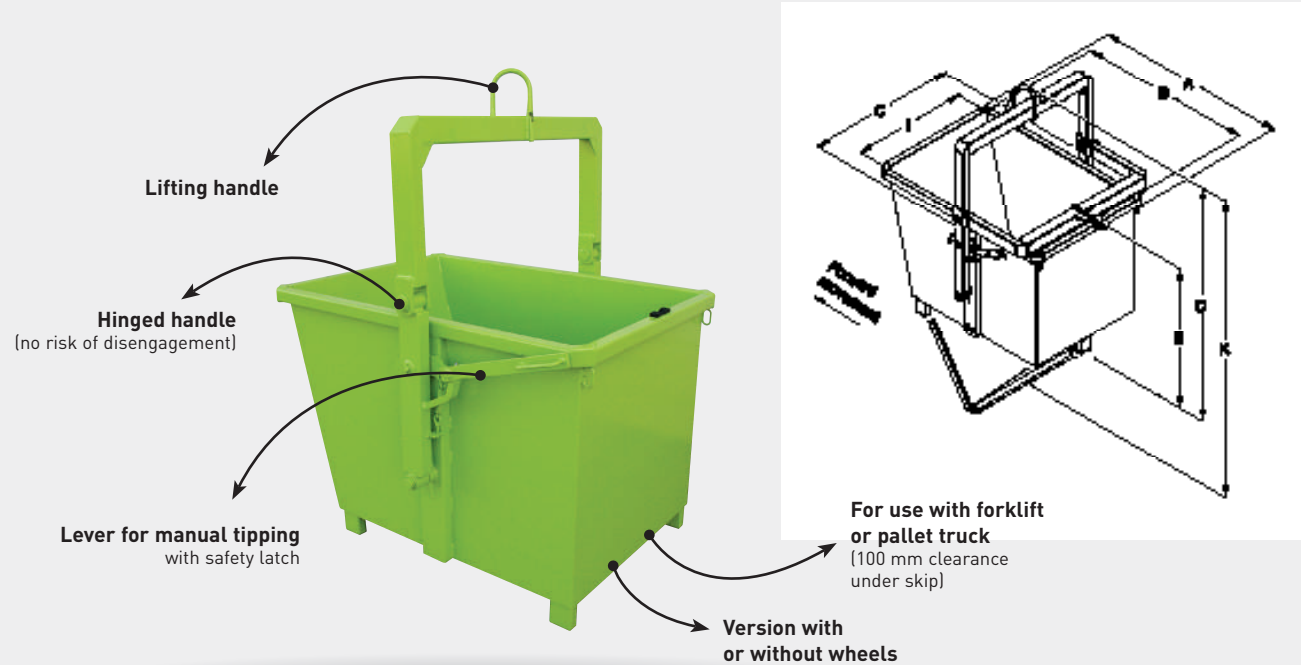
# SKIP WITH LIFTING BEAM ATTACHMENT AND HANDLE

CG

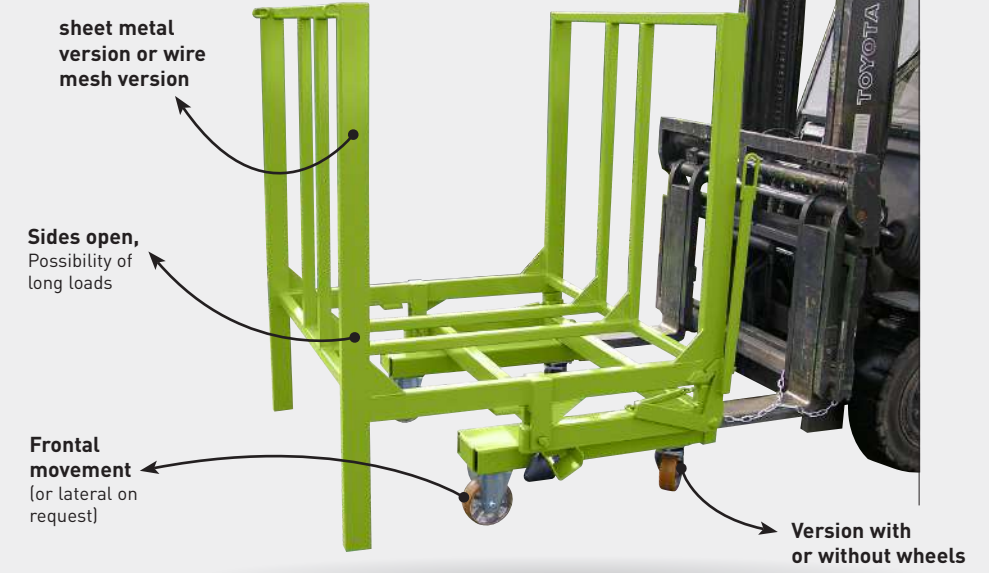
# TIPPING FRAME

GCM

For use with jib crane or bridge crane.  
Secure emptying by inversion.



Suitable for transporting long products.  
Timber slabs, cardboard, mandrels, etc.



## CHARACTERISTICS

- Capacity : 575 to 1000 litres
- Bin : 3 mm reinforced sheet metal
- Interior bin height : 800 mm
- Model without castor
- Castor-mounted models (forward movement) have 2 fixed + 2 pivoting Ø125 mm alu/polyurethane castors and a handrail

Capacity litres	Load kg	Castors Ø	A	B	C	I	D	K	E	Weight kg	Painted ref.
575	1500	-	1310	1000	1130	795	1620	2025	1015	138	CGP06000
575	1200	125	1310	1000	1130	795	1690	2025	1090	150	CGP06121
700	1500	-	1410	1200	1130	795	1620	2105	1015	150	CGP07000
700	1200	125	1410	1200	1130	795	1690	2105	1090	162	CGP07121
880	1500	-	1410	1200	1330	995	1620	2105	1015	165	CGP09000
880	1200	125	1410	1200	1330	995	1690	2105	1090	180	CGP09121
1000	1500	-	1410	1200	1470	1135	1620	2105	1015	176	CGP10000
1000	1200	125	1410	1200	1470	1135	1690	2105	1090	190	CGP10121

Dimensions in mm for basic model (for guidance only).

## CHARACTERISTICS

- Volume : 1300 dm<sup>3</sup>
- Tubular frame with gusset plates
- Safety latch for transport (disengage before tipping)
- Lever for manual tipping
- Fork sleeves can be modified on request. 5mm sheet metal. Aperture : 170 x 70mm. Spacing : 900mm.
- Pedestal-mounted models can be used with pallet trucks between fork sleeves
- Castor-mounted models (forward movement) have 2 fixed + 2 pivoting Ø160mm alu/polyurethane castors and a handrail
- Safety chain included
- For customised products, please contact us.
- Options on request

Capacité dm <sup>3</sup>	Load kg	Castors Ø	Latéral		Frontal		Overall height	Weight kg	Painted ref.
			Overall	Interior	Overall	Interior			
1300	2000	-	1265	1050	1300	1200	1400	148	GCP00000
1300	1800	160	1265	1050	1300	1200	1520	160	GCP00161

Dimensions in mm for basic model (for guidance only).

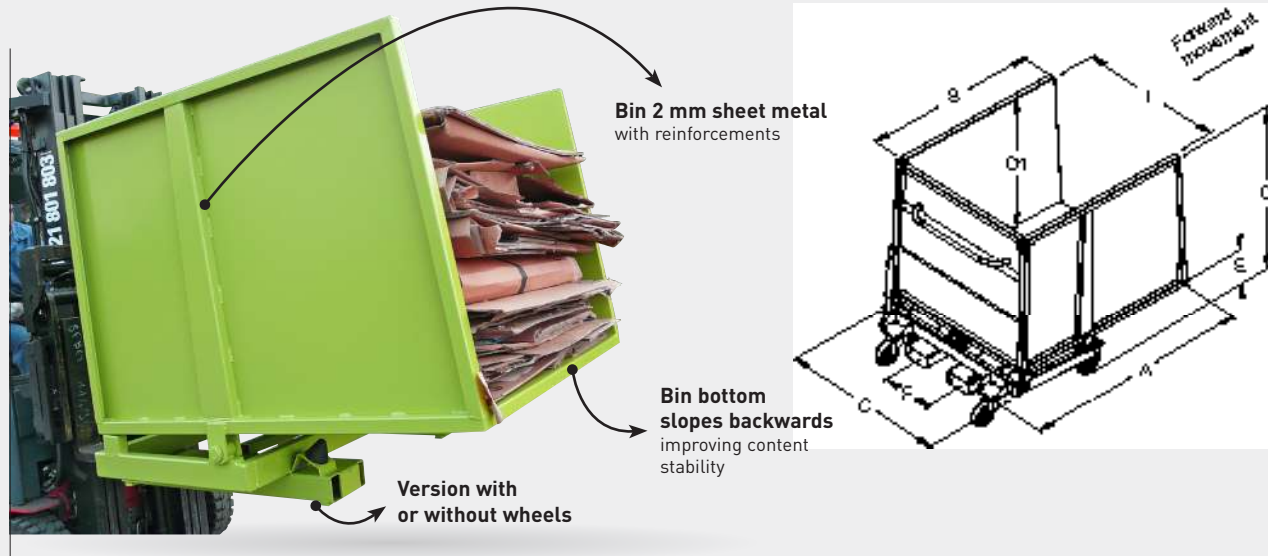
# OPEN TIPPING SKIP

BC

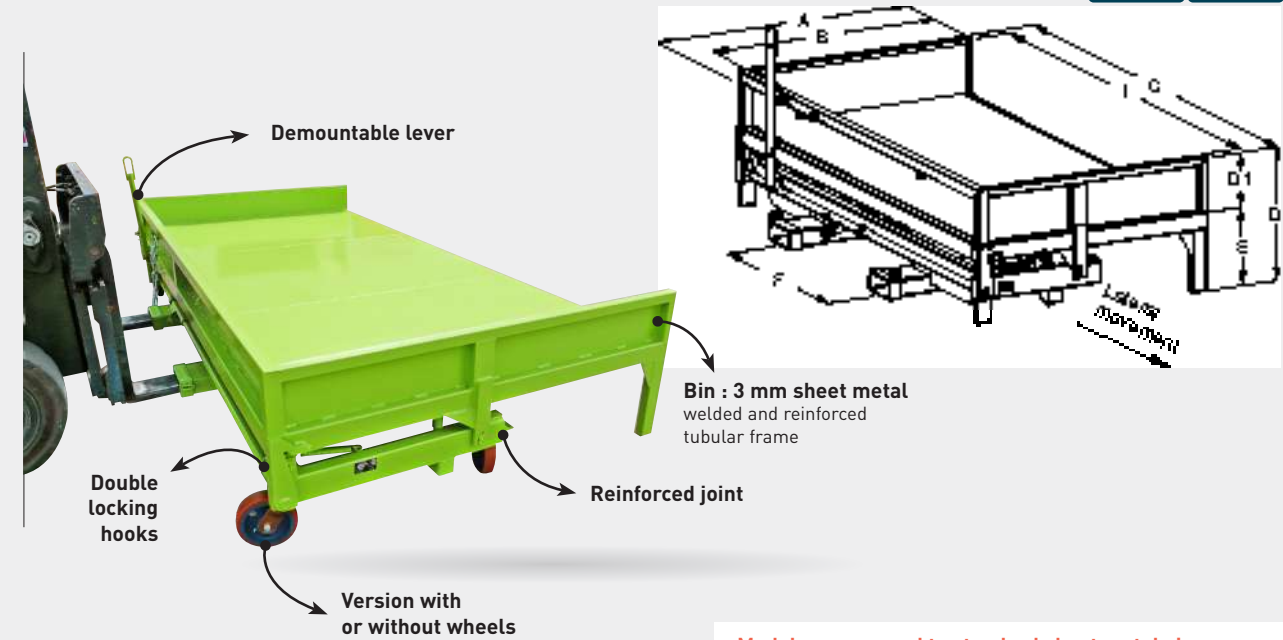
# OPEN TIPPING SKIP FOR HEAVY LOADS

SQ

For flat products.  
Automatic release.  
Open side facilitates stacking products (perfect for flattened boxes).



Perfect for sheep metal frames and other flat products.  
Automatic release.  
Reinforced for heavy loads.



Models correspond to standard sheet metal sizes :  
1000 x 2000, 1250 x 2500 and 1500 x 3000. (Other sizes and loads available on request)



## CHARACTERISTICS

- Capacity : 1150 to 2000 dm<sup>3</sup>
- Safety latch for transport (disengage before tipping)
- Automatically unlocks and tips on contact (anti-slip device). Lever for manual tipping
- Fork sleeves can be modified on request. 5 mm sheet metal. Aperture : 170 x 70 mm. Spacing : see F in table
- Pedestal-mounted models can be used with pallet trucks (between fork sleeves)
- Castor-mounted models (forward movement) have 2 fixed + 2 pivoting Ø150 mm alu/polyurethane castors and a handrail
- Safety chain included
- Options on request

Capacity dm <sup>3</sup>	Load kg	Castors Ø	A	B	C	I	D	D1	E	F	Weight kg	Painted ref.
1150	1200	-	1470	1280	1125	1000	1230	930	315	740	197	BCP11000
1150	1200	150	1550	1280	1125	1000	1340	930	430	350	210	BCP11151
1365	1200	-	1470	1280	1325	1200	1230	930	315	740	210	BCP13000
1365	1200	150	1550	1280	1325	1200	1340	930	430	550	224	BCP13151
1700	1200	-	1470	1280	1325	1200	1460	1160	315	740	228	BCP16000
1700	1200	150	1550	1280	1325	1200	1570	1160	430	550	240	BCP16151
2000	1200	-	1470	1280	1525	1400	1460	1160	315	740	240	BCP19000
2000	1200	150	1550	1280	1525	1400	1570	1160	430	740	253	BCP19151

Dimensions in mm for basic model (for guidance only).

## CHARACTERISTICS

- Capacity : 580 to 990 dm<sup>3</sup>
- Automatically unlocks and tips on contact. Lever for manual tipping
- Fork sleeves can be modified on request : 5 mm sheet metal. Aperture 170 x 70 mm and spacing (F) : 900 mm
- Model without wheels can't be used with pallet truck
- Castor-mounted models (lateral movement) have 2 fixed + 2 pivoting cast iron/polyurethane castors on chassis
- Options on request

Capacity litres	Load kg	Castors Ø	A	B	C	I	D	D1	E	F	Fork CG	Weight kg	Painted ref.
580	2500	-	1295	1100	2230	2100	620	250	370	900	920	320	SQP06000
580	2250	160	1295	1100	2230	2100	715	250	465	900	920	340	SQP06162
880	2500	-	1535	1350	2730	2600	620	250	370	900	940	396	SQP09000
880	2250	160	1535	1350	2730	2600	715	250	465	900	940	417	SQP09162
990	3000	-	1785	1600	3230	3100	570	200	370	900	920	470	SQP10000
990	2800	200	1785	1600	3230	3100	710	200	510	900	920	507	SQP10202

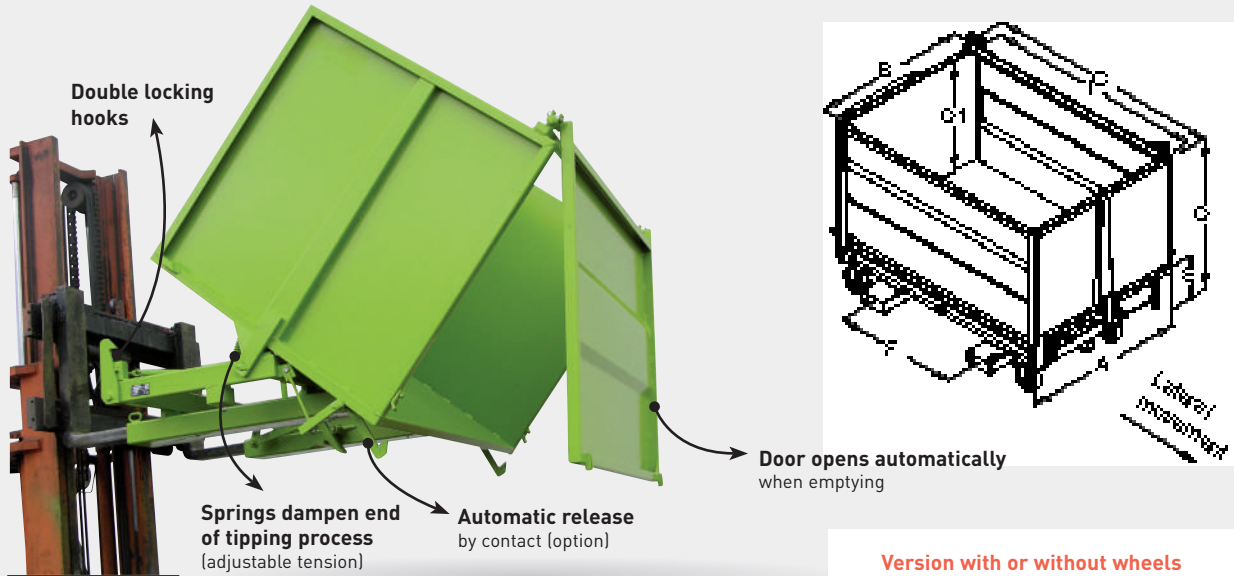
Dimensions in mm for basic model (for guidance only).

# TIPPING SKIP WITH FRONT DOOR



## OPTIONS AND FUNCTIONS OF USE

Minimum bulk - maximum capacity.  
Perfect for collecting wood scraps, sawdust, bark etc...



Lid with inspection window and ferrule  
Leakproof door with seal



Fixed lid (welded) with ferrule



2-parts lid with waterproof moving part



Leak proof inspection window (TEP)  
300x300mm



### CHARACTERISTICS

- Capacity : 1000 to 4800 litres
- Bin : 3 mm sheet metal with side bars and pleats
- Bin emptying angle : 43°
- Lever for manual tipping
- Safety latches on lever and door for transport (disengage before tipping)
- Fork sleeves can be modified on request. Aperture: 170 x 70 mm. Spacing : see F in table
- Pedestal-mounted models can be used with pallet trucks (between fork sleeves)
- Castor-mounted models have 2 fixed + 2 pivoting castors and a handrail
- Safety chain included
- Options on request

Capacity litres	Load kg	Castors Ø	A	B	C	I	D	D1	F	Weight kg	Painted ref.
1000	2000	-	1240	1030	1400	1250	1160	772	900	260	BNP10000
1000	1800	160P	1240	1030	1445	1250	1260	772	600	276	BNP10161
1200	2000	-	1240	1030	1650	1500	1160	772	900	286	BNP12000
1200	1800	160P	1240	1030	1700	1500	1260	772	850	300	BNP12161
1570	2000	-	1200	1000	1650	1500	1425	1040	900	320	BNP15000
1570	1800	160P	1200	1000	1700	1500	1525	1040	850	337	BNP15161
2100	2000	-	1200	1000	2150	2000	1425	1040	900	375	BNP20000
2100	1800	160P	1200	1000	2200	2000	1525	1040	900	390	BNP20161
2700	2500	-	1520	1300	2150	2000	1435	1040	900	430	BNP27000
2700	2400	200C	1520	1300	2200	2000	1565	1040	900	460	BNP27202
3500	2800	-	1520	1300	2150	2000	1715	1330	900	487	BNP35000
3500	2400	200C	1520	1300	2200	2000	1855	1330	900	519	BNP35202
4800	3500	-	2100	1795	2165	2000	1740	1330	900	614	BNP50000

Castors: P= Alu/polyurethane, C=Cast iron/polyurethane - Dimensions in mm for basic model (for guidance only).

Lid with special aperture on request and visualization window



2 gas cylinders on special lid



Hydraulic tipping





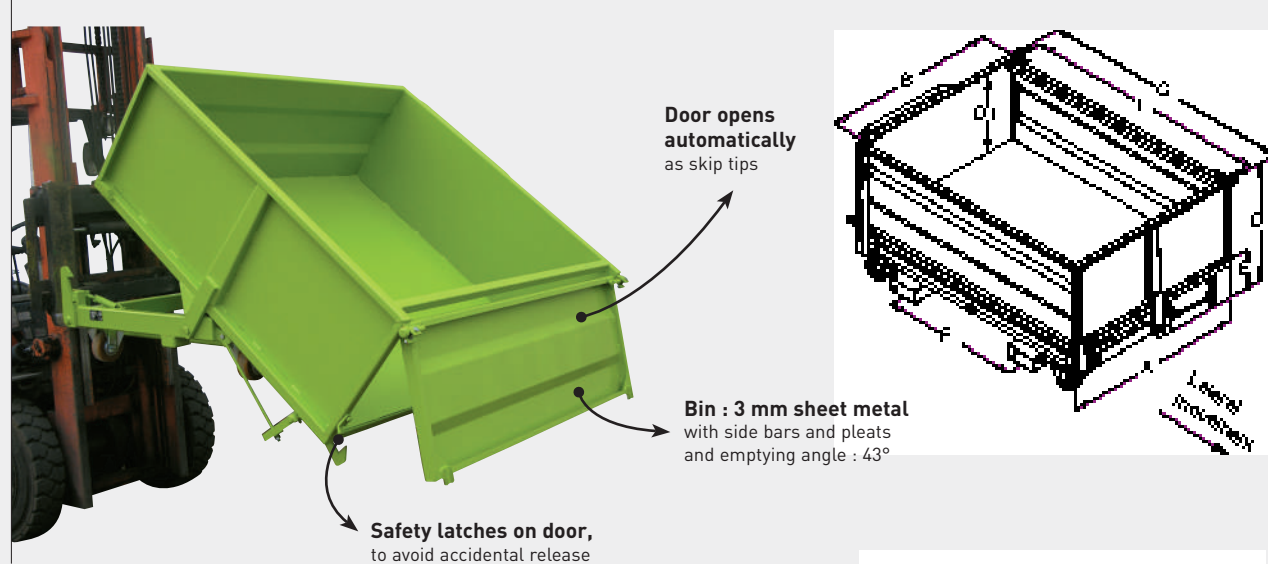
# LOW TIPPING SKIP WITH FRONT DOOR



# SLOPED -BOTTOM SKIP WITH FRONT DOOR

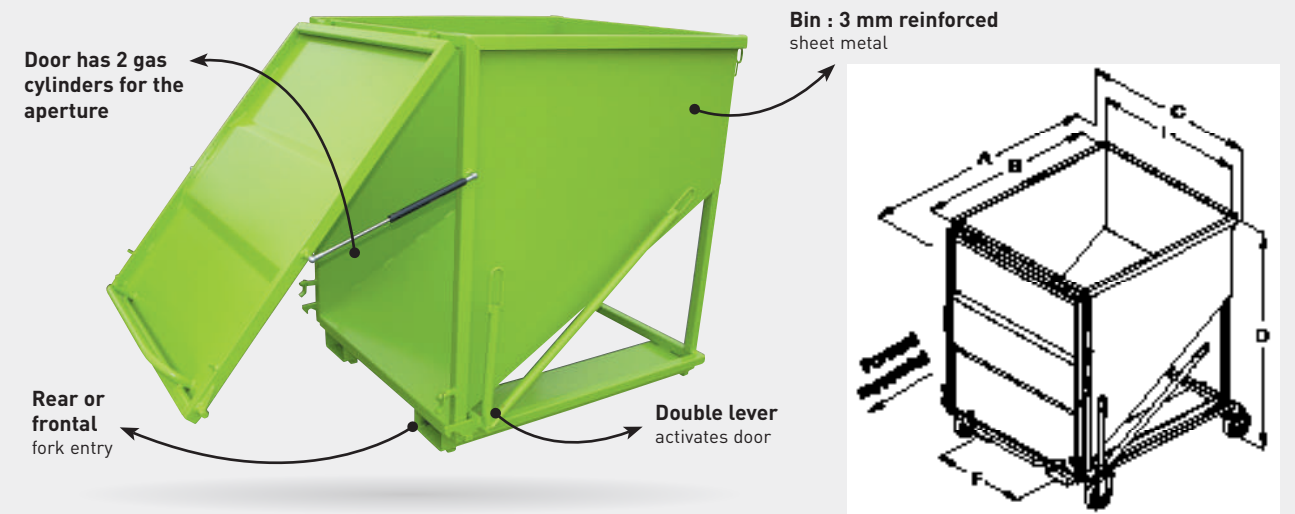


Perfect for collecting wood scraps, glass, sawdust and dust.  
Work table height.



Version with or without wheels

Emptying at dock, on pit or from flatbed vehicle.  
For use with or without forklift.  
120° sloped bottom.



Version with or without wheels



## CHARACTERISTICS

- Capacity : 410 to 1300 litres
- Lever for manual tipping (option: automatic release possible)  
Safety latches on lever
- Springs dampen end of tipping process (adjustable tension)
- Fork sleeves can be modified on request.  
Aperture : 170 x 70 mm.  
Spacing : see F in table
- Pedestal-mounted models or castor-mounted models have 2 fixed and 2 pivoting alu/polyurethane castors and a handrail
- Options: lid with ferrule, leak proof door and visualization window (see BN range)

Capacity litres	Load kg	Castors Ø	A	B	C	I	D	D1	F	Weight kg	Painted ref.
410	1500	-	1000	814	1150	1000	780	495	730	168	BSP05000
410	1200	125	1000	814	1195	1000	850	495	380	180	BSP05121
660	1500	-	1200	1030	1400	1250	780	495	900	210	BSP07000
660	1200	125	1200	1030	1445	1250	850	495	630	223	BSP07121
790	1500	-	1250	1030	1650	1500	780	495	900	230	BSP09000
790	1200	125	1250	1030	1695	1500	850	495	850	243	BSP09121
990	1500	-	1510	1296	1650	1500	780	495	900	268	BSP11000
990	1200	125	1510	1296	1695	1500	850	495	850	280	BSP11121
1050	1500	-	1250	1030	2150	2000	780	495	900	279	BSP12000
1050	1200	125	1250	1030	2200	2000	850	495	900	290	BSP12121
1300	2000	-	1510	1296	2150	2000	780	495	900	318	BSP16000
1300	1200	150	1510	1296	2200	2000	890	495	900	330	BSP16151

Dimensions in mm for basic model (for guidance only).

## CHARACTERISTICS

- Capacity : 500 to 2000 litres
- Safety latch for transport (disengage before tipping)
- Lever and handle facilitate door closing.
- Fork sleeves can be modified on request.  
5 mm sheet metal. Aperture : 170 x 70 mm.  
Spacing : see F in table
- Pedestal-mounted models can be used with pallet trucks (between fork sleeves)
- Castor-mounted models (forward movement) have 2 fixed + 2 pivoting alu/polyurethane castors and a handrail
- Safety chain included
- Option : Automatic release by contact
- Automatic door release optional

Capacity litres	Load kg	Castors Ø	A	B	C	I	D	F	Fork pocket aperture	Weight kg	Painted ref.
500	1500	-	1335	1160	1180	1000	900	740	170 x 70	177	FPP05000
500	1200	150	1420	1160	1195	1000	1010	580	170 x 70	186	FPP05151
1000	2000	-	1335	1160	1180	1000	1340	740	170 x 70	227	FPP10000
1000	1800	160	1418	1160	1195	1000	1455	580	170 x 70	240	FPP10161
1520	2000	-	1336	1160	1680	1500	1355	740	170 x 70	279	FPP15000
1520	1800	160	1418	1160	1690	1500	1470	740	170 x 70	290	FPP15161
2000	2000	-	1336	1160	2180	2000	1355	740	170 x 70	338	FPP20000
2000	1800	160	1418	1160	2190	2000	1470	740	170 x 70	350	FPP20161

Dimensions in mm for basic model (for guidance only).

# DROP BOTTOM SKIP WITH HEEL CAGE SAFETY



# DROP BOTTOM SKIP HINGED STIRRUP SAFETY



Full bottom emptying.  
Best size/capacity ratio.  
With patented heel cage safety - no risk of disengaging.



Full bottom emptying.  
Best size/capacity ratio.  
Automatically unlocks.



**Automatic fork heel locking** with stub cage safety (registered patent)

**Full hold** in heel cage by apron movement

**Upper edge reinforced** with 3-ply anti-cut rim

**Sheet metal bin** 2 mm rib and 3 mm sheet metal bottom hardened by tubular frame

**Version with or without wheels**

**NEW SAFETY - LITERA - REGISTERED PATENT**

**NOTE :** Please ensure the forklift mast is at a suitable height (add value K from the table to the collection skip height). Check the section and the length of the forks - minimum length 1200mm (please contact us if lower length).

**Automatic fork heel locking** when lifting

**Strengthening fold**

**Opening mechanism** tied with hinged hook

**Version with or without wheels**

**NOTE :** Please ensure the forklift mast is at a suitable height (add value K from the table to the collection skip height). Check the section and the length of the forks - minimum length 1200mm (please contact us if lower length).

Heel cage safety : fully secure hold

Galvanized version with castors - forward movement

Automatically tips on contact

Model without wheels for use with pallet truck

With hinged stirrup : fast pickup - can be used without apron movement

Automatically unlocks and tips on contact

### CHARACTERISTICS

- Capacity : 515 to 2075 litres
- Upper lifting lugs, aperture : 160 x 60 and spacing (F) 700 mm
- Opening mechanism tied with hinged hook
- Automatically unlocks and tips on contact, lever for manual tipping
- Safety latch preventing any unintentional use
- Models without wheels for use with pallet truck
- Caster mounted models have 2 fixed and 2 pivoting castors and a handrail Forward movement except for 2075 L which has lateral motion
- For customised or reinforced versions, please contact us

Capacity litres	Load kg	Castors Ø	A	B	C	I	D	K	Weight kg	Painted ref.
515	1500	-	1010	800	1145	1000	880	1620	125	CAP05000
515	1200	125N	1005	800	1145	1000	930	1620	130	CAP05120
830	1500	-	1000	800	1395	1250	1070	1810	155	CAP08000
830	1200	125N	1005	800	1395	1250	1120	1810	160	CAP08120
1000	1500	-	1010	800	1345	1200	1280	2020	165	CAP10000
1000	1200	150P	1005	800	1345	1200	1380	2020	175	CAP10151
1400	1500	-	1100	900	1395	1250	1425	2265	185	CAP14000
1400	1200	150P	1105	900	1395	1250	1520	2265	195	CAP14151
2075	2000	-	1220	1000	1945	1800	1390	2350	255	CAP20000
2075	1800	160P	1225	1000	1980	1800	1490	2350	267	CAP20161

Castors : N = Nylon, P = alu/polyurethane - Dimensions in mm for basic model (for guidance only).

### CHARACTERISTICS

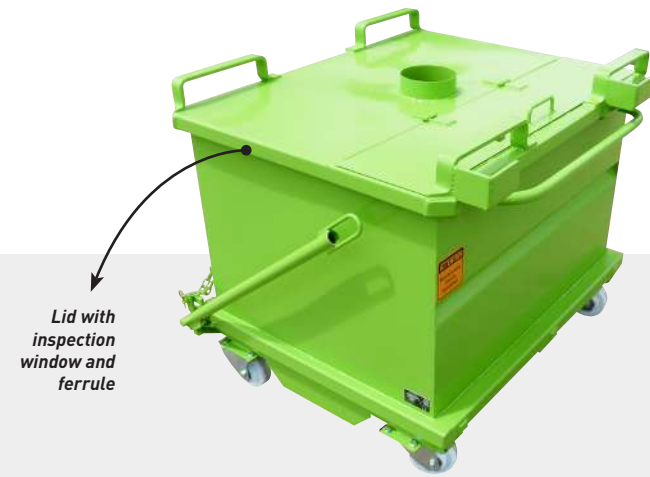
- Capacity : 515 to 2075 litres
- Upper lifting lugs, aperture : 200 x 65 and spacing (F) 780 mm
- Sheet metal bin 2 mm rib, and 3 mm sheet metal bottom hardened by tubular frame
- Upper edge reinforced with 3-ply anti-cut rim
- Safety latch preventing any unintentional use
- Model without wheels for use with pallet truck
- Caster mounted models have 2 fixed and 2 pivoting castors and a handrail Forward movement except for 2075L which has lateral motion
- For customised or reinforced versions, please contact us
- Options : see P.40

Capacity litres	Load kg	Castors Ø	A	B	C	I	D	K	Weight kg	Painted ref.
515	1500	-	1000	800	1145	1000	920	1620	125	FAP05000
515	1200	125N	1005	800	1145	1000	970	1620	130	FAP05120
830	1500	-	1000	800	1395	1250	1110	1810	155	FAP08000
830	1200	125N	1005	800	1395	1250	1165	1810	160	FAP08120
1000	1500	-	1000	800	1345	1200	1320	2020	165	FAP10000
1000	1200	150P	1005	800	1345	1200	1420	2020	175	FAP10151
1400	1500	-	1100	900	1395	1250	1465	2265	185	FAP14000
1400	1200	150P	1105	900	1395	1250	1565	2265	195	FAP14151
2075	2000	-	1220	1000	1945	1800	1430	2350	255	FAP20000
2075	1800	160P	1225	1000	1980	1800	1530	2350	267	FAP20161

Castors : N = Nylon, P = alu/polyurethane - Dimensions in mm for basic model (for guidance only).

# OPTIONS AND FUNCTIONS OF USE

FAP CAP



Lid with inspection window and ferrule



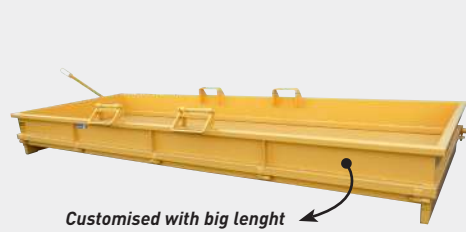
Opening limiter with guide flanges



Lid with 2 opening sections



Lid with 1 hinged section



Customised with big lenth



4 corner lifting lugs

Automatic release by contact drawbar



Customised sleeves for forklift with clamps



Custom made product with roof



Opening limiters

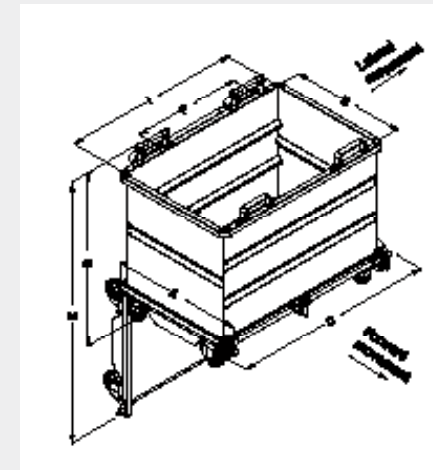


Lower lifting through fork sleeves

# DROP-BOTTOM SKIP ESSENTIAL – WORKING LOAD 1000KG



Economical. Simplicity, reliability.



Upper edge 3-ply blunt rim reinforced under fork aperture

Manual release with lever

Safety pin

Version with or without wheels



**NOTE :** Please ensure the forklift mast is at a suitable height (add value K from the table to the collection skip height). Check the section and the length of the forks – minimum length 1200mm (please contact us if lower length).



## CHARACTERISTICS

- 3 capacities : 500, 800, 1000 litres
- Sheet metal bin 2 mm rib with reinforced corners
- Upper fork aperture 200 x 80 mm. 700 mm fork spacing (F)
- Caster-mounted model equipped with 2 fixed and 2 pivoting Ø 125 nylon casters (forward movement)
- One safety chain included

Capacity litres	Load kg	Castors Ø	A	B	C	I	D	K	Weight kg	Painted ref.
500	1000	-	865	750	1335	1185	735	1405	90	FEP05000
500	1000	125N	865	750	1335	1185	800	1405	98	FEP05120
800	1000	-	865	750	1335	1185	1125	1792	110	FEP08000
800	1000	125N	865	750	1335	1185	1185	1792	118	FEP08120
1000	1000	-	865	750	1335	1185	1345	2012	125	FEP10000
1000	1000	125N	865	750	1335	1185	1405	2012	133	FEP10120

Dimensions in mm for basic model (for guidance only).

# DROP-BOTTOM SKIP WITH POLYETHYLENE LID



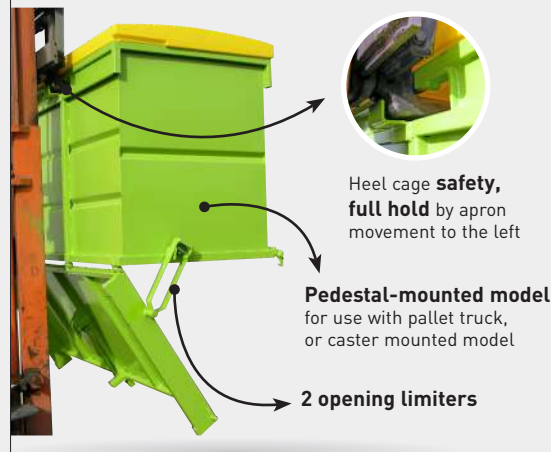
# REINFORCED DROP BOTTOM SKIP FOR AGGREGATES



2 capacities 1280 or 2570 litres, with or without castors.  
In standard: automatic anti-slip fork-blocking devices, opening limiter, and automatically unlocks and tips on contact.

## Model CAP

Upper fork aperture 160 x 60 mm  
Spacing (F): 700 mm

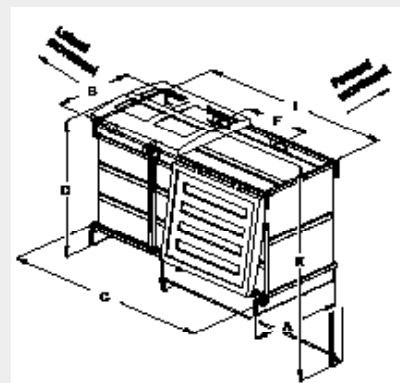


## Model FAP

Upper Fork aperture 200 x 65 mm  
Spacing (F): 780 mm



**NOTE :** Please ensure the forklift mast is at a suitable height (add value K from the table to the collection skip height). Check the section and the length of the forks – minimum length 1200mm (please contact us if lower length).



Capacity litres	Load kg	Castors Ø	Movement	A	B	C	I	D	K	Weight kg	FAP painted ref.	CAP painted ref.
1280	1500	-	-	1235	950	1350	1150	1450	2200	210	FAP13000	CAP13000
1280	1200	150	Frw.	1235	950	1350	1150	1550	2200	220	FAP13151	CAP13151
2570	2000	-	-	1220	950	2500	2300	1450	2200	340	FAP25000	CAP25000
2570	1800	160	Lat.	1220	950	2530	2300	1550	2200	350	FAP25161	CAP25161

Dimensions in mm for basic model (for guidance only).

Stackable.  
Load capacity = 2T.  
Perfect for delivering materials.



## Model FOP

Drop with fork top lift passage



## Model FIP

Drop only with the ring for crane



## Model FMP

FOP + FIP combined system



Capacity : 500 and 1000 litres for each model - On base model - Galvanized or painted version



## CHARACTERISTICS

- Heavy-duty bin : 3 mm sheet metal
- Bottom : rigid tubular chassis
- Protection sheet metal on locked system
- Lever with safety latch for manual opening
- Lower fork passage for forklift and pallet truck, on the 4 sides
- For customised or wheel-mounted version, please contact us

Capacity litres	Load kg	Lateral		Forward		Overall height	Weight kg	Painted ref.
		Overall	Interior	Overall	Interior			
500	2000	920	800	1335	1200	760	150	FOP05000
1000	2000	920	800	1335	1200	1290	205	FOP10000
500	2000	920	800	1335	1200	785	138	FIP05000
1000	2000	920	800	1335	1200	1310	190	FIP10000
500	2000	920	800	1335	1200	805	150	FMP05000
1000	2000	920	800	1335	1200	1330	210	FMP10000

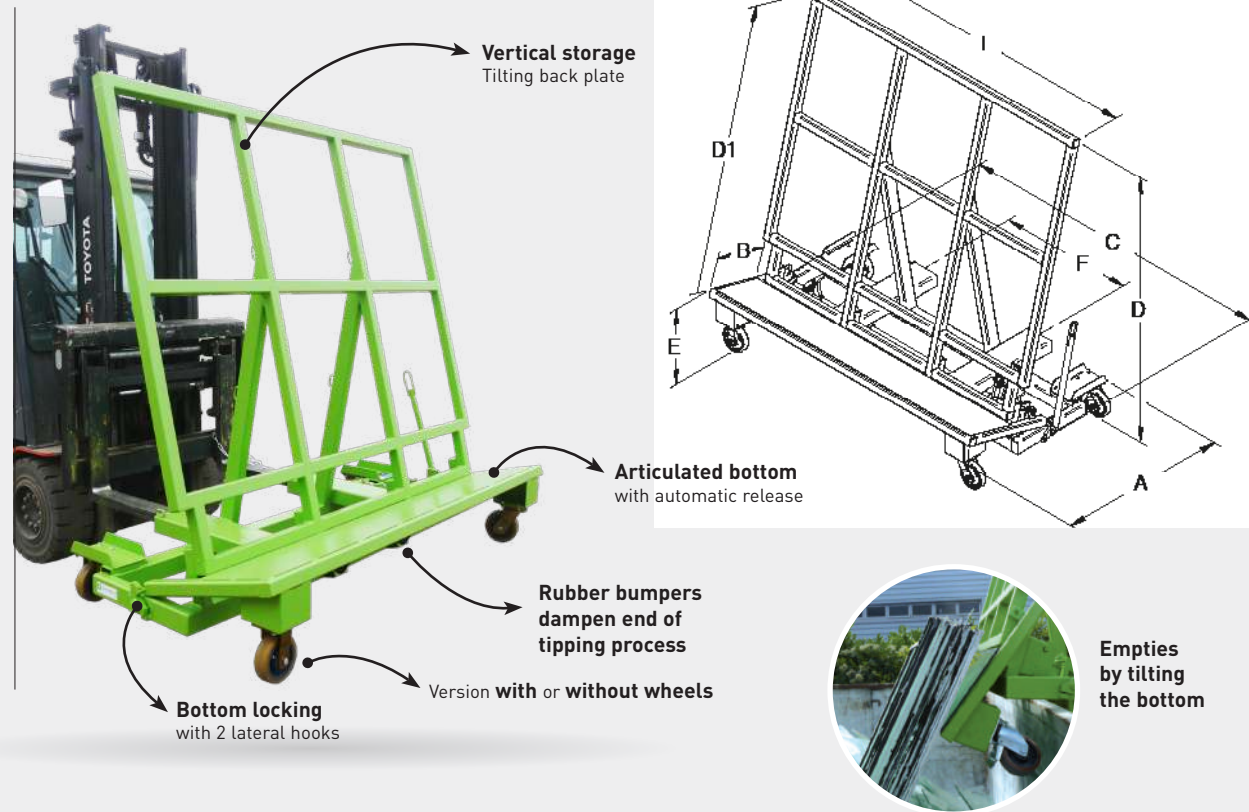
Dimensions in mm for basic model (for guidance only).

# EASEL BOTTOM OPENING SF

# SKIP BT

## FOR TELESCOPIC FORK-LIFT

For sheet metal frames, plates, glazing.  
Saves ground storage space, compact handling.

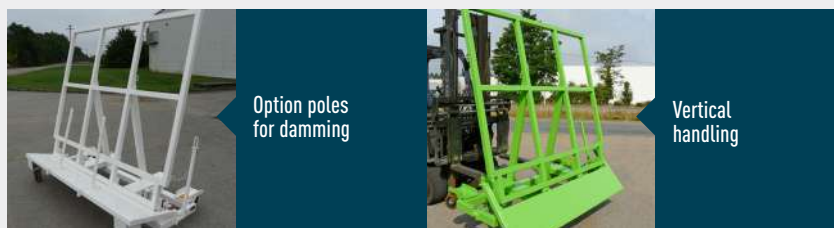


### CHARACTERISTICS

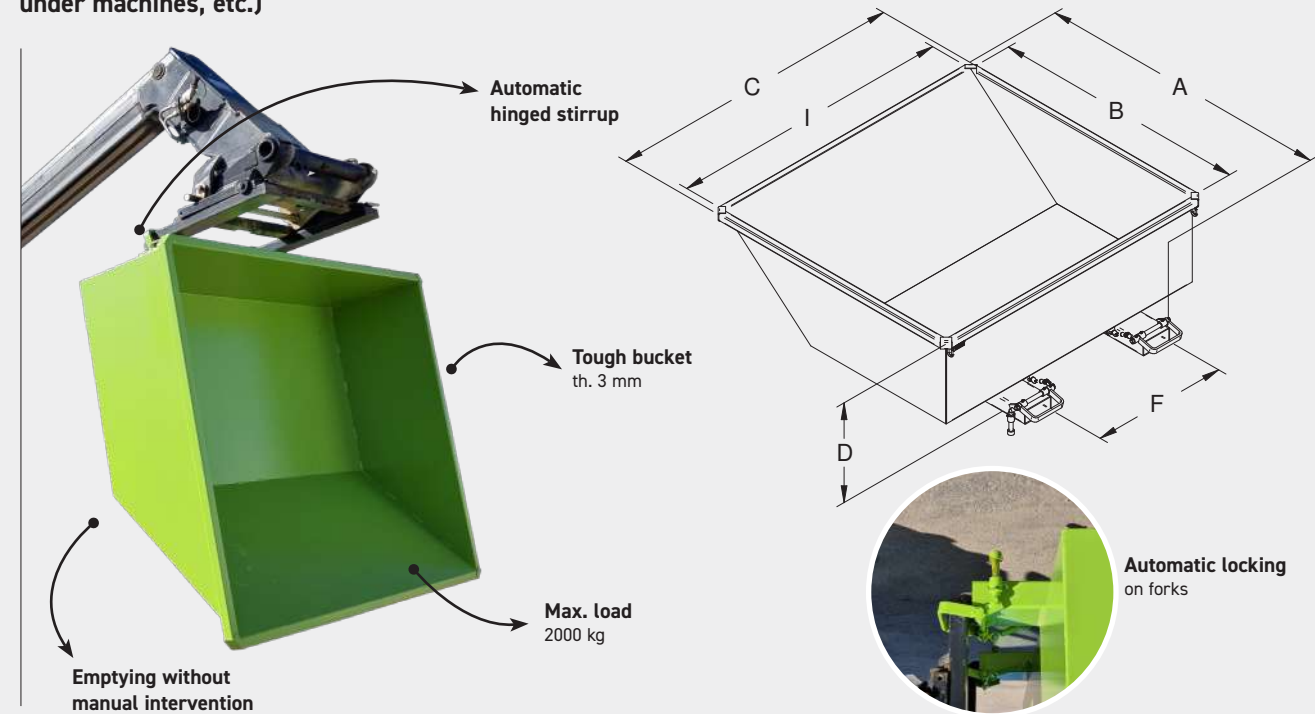
- Load capacity : 2000 kg
- Safety latch preventing unintended use during transport, remove before emptying
- Releases on contact automatically (with anti-slip mechanism) and manually using the lever
- Fork sleeves and spacing F can be modified on request
- Pedestal-mounted model can be used with pallet trucks
- Castor-mounted models have 2 fixed and 2 pivoting cast iron/polyurethane castors (Ø160) – lateral movement
- Safety chain included

Load kg	A	B	C	I	D	D1	E	F	Fork sleeves ins.	Weight kg	Painted ref.
2000	1100	354	2100	2000	1980	1740	386	880	170 x 70	225	SFP20000
2000	1100	354	2100	2000	1980	1740	386	880	170 x 70	245	SFP20162

Dimensions in mm for basic model (for guidance only).



Dumping by simply tilting the forks  
Reduced height  
Automatic locking at the fork heels  
Suitable for low applications (demolition rubble, mortar, grape pomace under the press, waste under machines, etc.)



### SPECIFICATIONS

- Capacities 675 – 1000 - 1200 litres
- Folded 3mm sheet metal bucket
- Front chute for easy emptying
- Tilting by tilting the telescopic truck apron
- Automatic safety features at fork heels for ISO forks without hydraulic translator (thickness 50 mm maximum)
- No pallet truck passage
- Closed fork sleeves, truck connection and centre-distance (F) can be modified to order
- For safety reasons, it is forbidden to shake the bucket in the vertical position
- Options: Sealed body, crane hitching on 4 corner loop and galvanized version
- For made to measure – contact us

Capacity liters	Load kg	A	B	C	I	D	F	Fork sleeves inside section	Weight kg	Painted réf.
675	1500	1730	1494	1200	1120	590	800	170 x 70	145	BTP07000
1000	2000	1730	1494	1745	1660	590	800	170 x 70	175	BTP10000
1200	2000	1730	1494	2080	1995	590	800	170 x 70	193	BTP12000

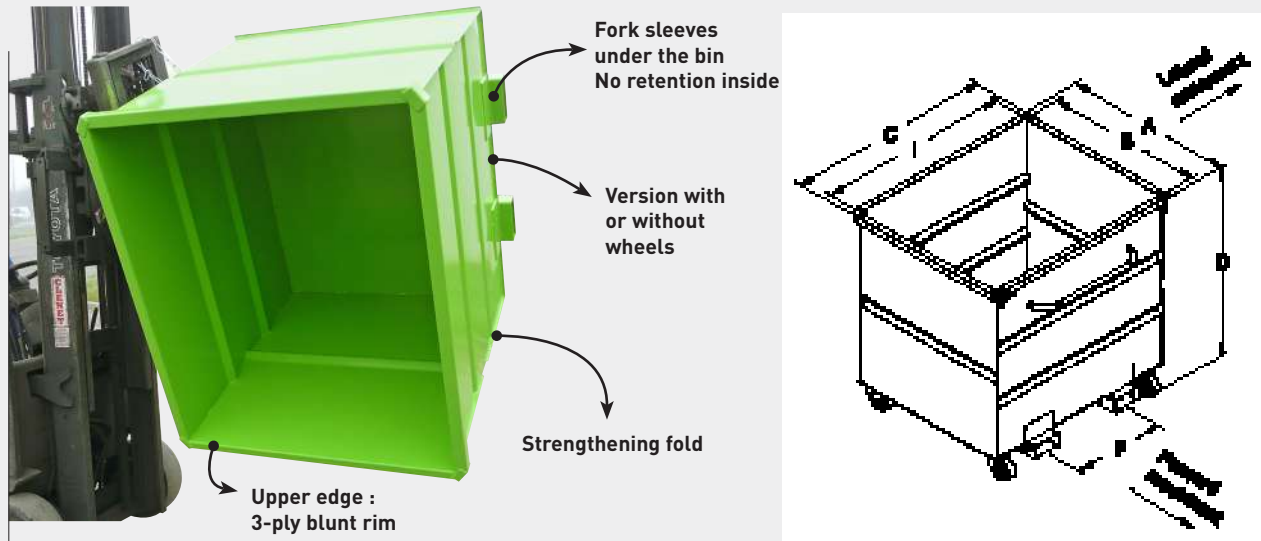
Dimensions shown in mm excluding options and without engagement.

# SKIP FOR FORKLIFT WITH ROTATING HEAD



## OPTIONS AND FUNCTIONS OF USE

Complete emptying by inversion.  
Low-cost.  
Stackable.



4 sides fork sleeves and hinged lid



Trailer drawbar



Optional guide stirrup for stacking



Custom open-ended skip



Fork entry points reinforced with 6 mm sheet metal

Optional folding double lid

Standard stackable (Frontal adjustment)

### CHARACTERISTICS

- Capacity : 500 to 2000 litres
- Bin : 2 mm sheet metal with reinforcing ribs
- Fork sleeves aperture 170 x 70 mm and spacing (F) can be modified on request
- Pedestal-mounted models can be used with pallet trucks (between fork sleeves)
- Castor-mounted models have 2 fixed and 2 pivoting Ø125 mm alu/polyurethane castors and a handrail
- Safety chain included
- For customised products, please contact us

Capacity litres	Load kg	Castors Ø	Movement	A	B	C	I	D	F	Weight kg	Painted ref.
500	1500	-	-	890	775	1285	1200	635	740	97	BRP05000
500	1200	125	Fr	960	775	1285	1200	710	500	110	BRP05121
1000	1500	-	-	890	775	1285	1200	1175	740	130	BRP10000
1000	1200	125	Fr	960	775	1285	1200	1245	500	145	BRP10121
1250	1500	-	-	1100	975	1285	1200	1170	740	150	BRP12000
1250	1200	125	Fr	1160	975	1285	1200	1240	500	165	BRP12121
1500	1500	-	-	1100	975	1560	1475	1140	740	164	BRP15000
1500	1200	125	La	1100	975	1650	1475	1210	740	178	BRP15121
2000	1500	-	-	1100	975	1560	1475	1485	740	190	BRP20000
2000	1200	125	La	1100	975	1650	1475	1560	740	207	BRP20121

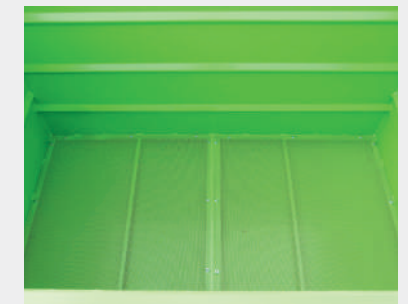
Dimensions in mm for basic model (for guidance only).



Galvanized version with lid



Lid with aluminum roller shutter



Decanting option

# OPTIONS

## OPTIONS FINISH/BLOCKING/RELEASE

### Finishing choice :

Stainless steel, galvanized version or customised paintwork



### Blocking on forks (BFP)



### Automatic release (DAP) :

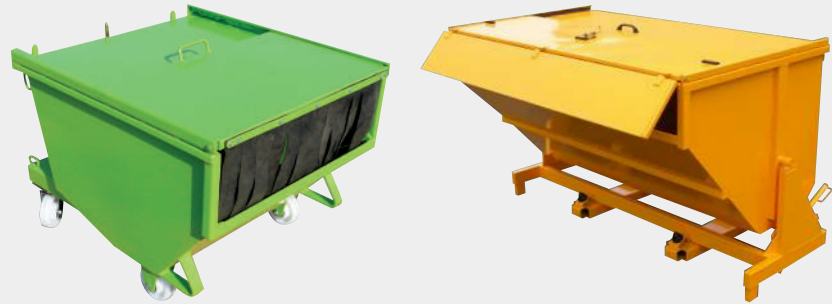
by pressure, by contact, by drawbar



# OPTIONS

## LIDS

**Sliding lid (CLP)**  
plastic strips or metal version



**Dead-light (OPP)**



**For stacker**



**Clamps hold on tipping bin**



**Clamps hold on drop bottom skip**



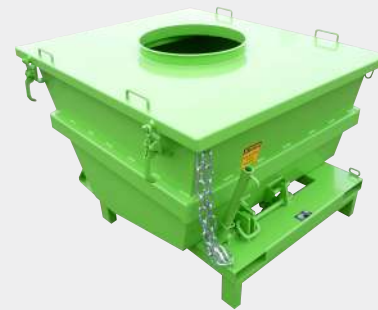
**Hinged two parts lid (COP)**



**Folding lid on BR**



**Custom removable lid (COS)**



**Guide flanges (FLP)**



**Fork sleeves on 3 sides (PTP)**



**Fixed lid with virole (CVP)**



**Articulated lid with 1 ferrule (VIP)**



**Special cover**  
Lockable, opening with gas compass



**Opening limiter (LOP)**



**Noise reduction coating**

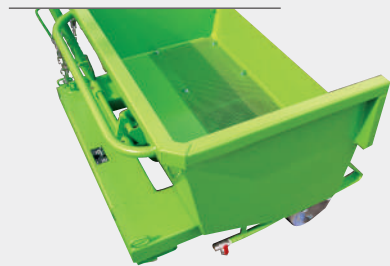




# OPTIONS

# OPTIONS

**Grille and drain tap**  
(GRP)



**Leakproof door**  
with foam seal (FEP)



**Adhesive letters**  
(MAP)



**4 lifting lugs**  
(BAP)



**Security by screw**



**Draw bar hitching**  
(TRP10000)



**Tarpaulin or netting**  
(FBP)



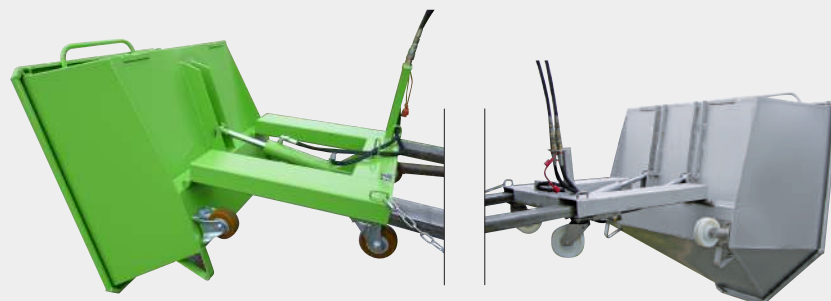
**Leakproof inspection window**  
on lid - (TEP)



**Deceleration cylinder**  
for end of tipping process (VRP)



**Hydraulic tipping**  
1 or 2 cylinders (BHP)



**Lid**  
with aluminum roller shutter



**Customized leak-proof lid**  
with ferrule on tipping skip



**Cross fork sleeves**  
on FAP/CAP models (FVP)



**OTHER OPTIONS  
CONSULT US**

# CUSTOM MADE PRODUCTS

## CUSTOM MADE PRODUCTS



### — IMAGINE, INNOVATE, CREATE, GAIN YOUR TRUST...

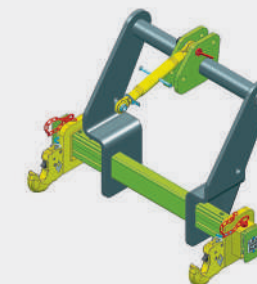
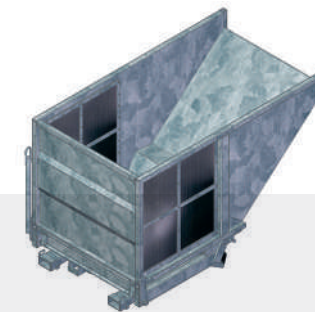
With **recognized know-how**, an ability to listen and professional expertise, we add to our wide range of standard products with tailor-made products to become your ideal partner and offer you :

- Unique expertise in the analysis of your requirements
- Personalised advice
- Solutions to each of your issues
- A proactive service
- Guaranteed quality, reliability and safety

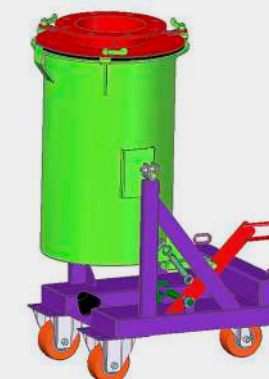
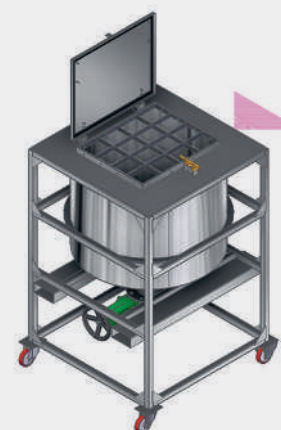
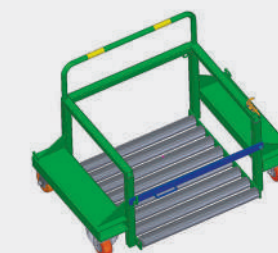
**Our design office works** every day to invent and develop products to provide you with solutions adapted to your requirements and the regulations (EC).

**The contract manager** is your contact with all the company's services. They guide you through the development of your project and answer all of your questions.

**Talk to us and benefit from our experience.**



**A tailor-made product designed to meet all your requirements !**



# CUSTOM MADE PRODUCTS

**Multi-compartment skip**  
Tilting or opening bottom



**Adaptation fork sleeves**  
For lift truck with clamps



**Skip**  
for machine environment



**Wire mesh version**



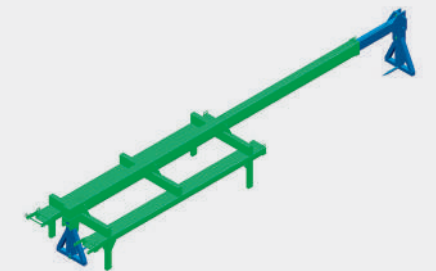
**Faggot mould**



**BR-C skip**  
with command of opening lid  
with pedal



**Special spur**



**Adaptation**  
with hinged tipping

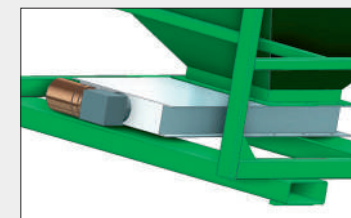


**Bin with opercule**  
or special glass hatch



**Specific adaptation**

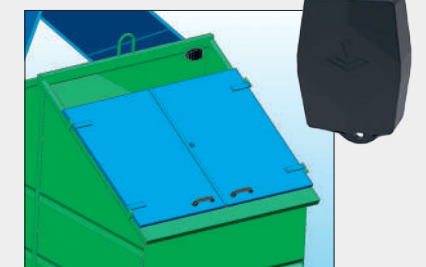
Geared motor



Hydraulic vibrator



GPS-plotter



# CUSTOM MADE PRODUCTS

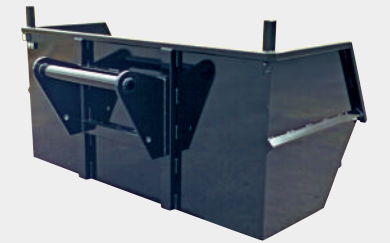
**Skip**  
with double-axle steering



**Mounting on specific wheels**  
For use with or without



**Special skip**  
for telescopic truck



**Truck**  
for fire equipment



**Truck**  
Handling



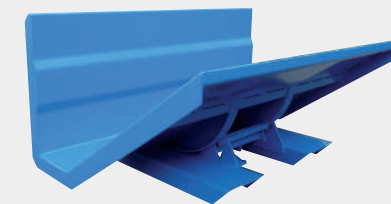
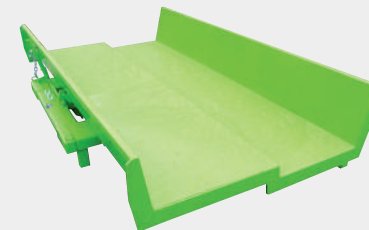
**Grab point**



**Open-bottom skip**  
with special lid



**Open sides**  
for long products



**Mobile ramp**  
special QL



# CUSTOM MADE PRODUCTS

## Reinforced skips Steelworks / foundry / aspiration



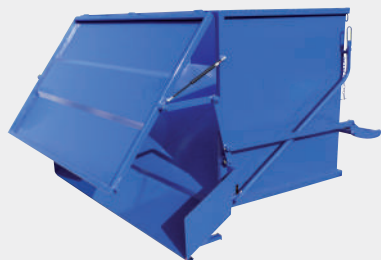
## Hydraulic tilting on tipping skip



## Retarder cylinder



## Sloped bottom skip special



## TELL US WHAT YOU NEED AND WE'LL MAKE THE SKIP TO FIT!



FOR A FREE ESTIMATE, PLEASE FILL IN THE FORM BELOW AND RETURN IT TO US.

Company : .....

Contact/Name : .....

Address : .....

Post code : ..... City : .....

Tel. : ..... Fax : ..... E-mail : .....

Sphere of activity : .....

### YOUR TECHNICAL REQUIREMENTS

Type of products handled : .....

Estimated load : .....

FINISH : Painted  galvanized  Stainless steel  Food-safe paint  Leak proof bin

TYPE : Pedestal-mounted model  Castor-mounted model  2 fixed + 2 pivoting  4 pivoting   
Forward movement  Lateral movement

For use with : Forklift  Stacker

Tipping system : Manual  Hydraulic

QUANTITY : .....

DESIRED OPTIONS AND/OR COMMENTS : .....

### DIMENSIONS REQUIRED

A (overall depth) : .....  
or

B (interior depth) : .....

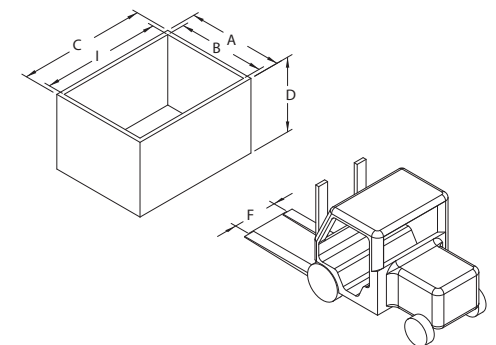
C (overall width) : .....

or  
I (interior width) : .....

D (overall height) : .....

F (fork sleeves spacing) : .....

Dimensions of your forks : ..... X .....



## NOTES

# ADD COLOUR TO YOUR WORKING ENVIRONMENT!

Our products are coated with a green polyurethane paint. As standard, we also offer the range of RAL colours below. Other RAL colours are available as an option so that our products can integrate seamlessly into your environment.



# To facilitate your work on the web

WEB SITE



Find our equipment on  
[www.goubard.fr](http://www.goubard.fr).



**Contact us.**

Z.A. de Suzerolle nord  
49140 Seiches-sur-le-Loir

**T. +33 (2) 41 76 36 52**  
**M. [export@goubard.fr](mailto:export@goubard.fr)**

VISIT CARD



Watch our demo  
videos on **Youtube.**

The trick ? Activate the bell  
to be alerted at every product release!

YOUTUBE

LINKEDIN



Follow our news  
on **LinkedIn.**

And log in to your sales  
executive if you wish.

Do you want to stop receiving the Goubard catalogue in paper format?  
Let us know, so that we only send you the link to the digital catalogue.