

# Facilitating your handling.

SKIPS

SHOVELS & BUCKETS

HOPPERS

ACCESSORIES

CUSTOM-MADE



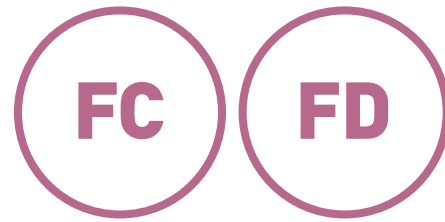
# HOPPERS

## HOPPERS

<b>FC/FD</b>	Helmet hopper .....	50
<b>FG</b>	Guillotine hopper .....	52
<b>FT</b>	Drop bottom hopper .....	53
<b>TB-F</b>	Hopper for big-bags on feet .....	54
<b>TB-L</b>	Filling hopper and big-bag lift .....	55
<b>TSS</b>	Tailor-made special hoppers .....	56

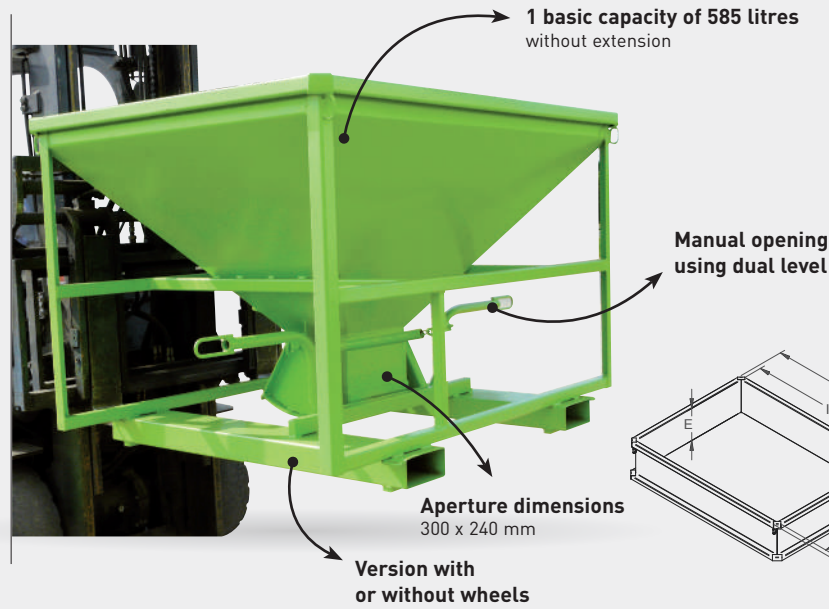


# HELMET HOPPER

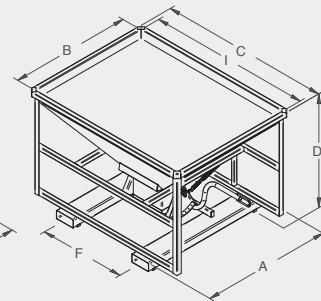


## OPTIONS AND FUNCTIONS OF USE

Central emptying by trap with helmet.  
Suitable for all types of non-cohesive material, from powder to pebbles.  
Regulated overflow.



- FC Type**
- 2 mm folded sheet metal container
  - Load capacity : 1200 kg
- FD Type**
- 3 mm folded sheet metal container
  - Load capacity : 2000 kg



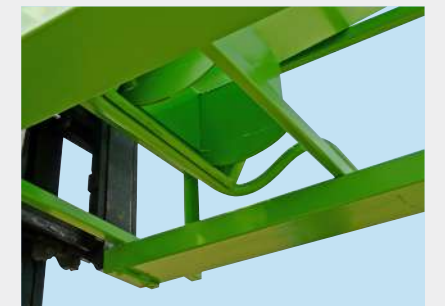
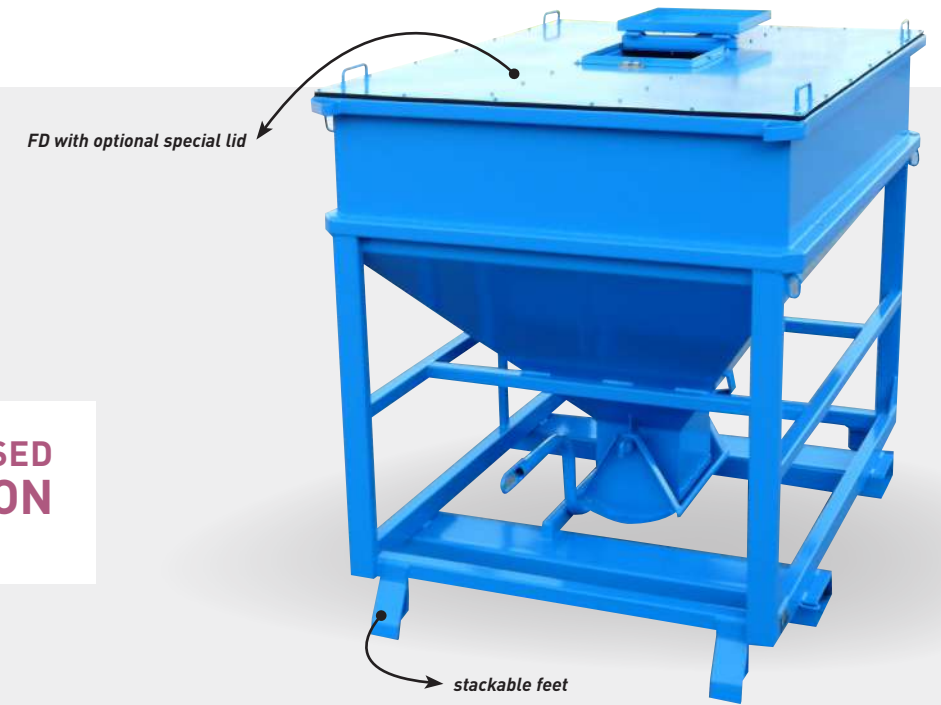
### CHARACTERISTICS

- 1 basic capacity of 585 litres and 2 adaptable extension frames increasing capacity to 1085 or 1585 litres
- Controlled emptying flow, return spring on the helmet
- Helmet hinges mounted on bearings
- Fork sleeves aperture : 170 x 70 mm. Spacing (F) : 850 mm-modifiable on request
- Pedestal mounted models with pallet truck access points - Stackable
- Castor mounted models have 2 fixed and 2 pivoting castors Ø125 alu/polyurethane on FC hopper and Ø160 cast iron/polyurethane on FD hopper with handrail, lateral motion
- For customised production, please contact us

	Capacity litres	With	A	B	C	I	D	E	Weight kg	Painted ref.
<b>FC Model : hopper thickness 2mm</b>										
Hopper load 1200 kg	585	-	1200	1120	1580	1500	1050	-	150	FCP05000
	585	castors	1200	1120	1670	1500	1110	-	160	FCP05121
Extension	for 1085 L	-	1225	1120	1605	1500	-	300	40	REP20000
	for 1585 L	-	1225	1120	1605	1500	-	600	65	REP25000
<b>FD Model : hopper thickness 3mm</b>										
Hopper load 2000 kg	585	-	1200	1120	1580	1500	1050	-	205	FDP05000
	585	castors	1200	1120	1670	1500	1160	-	225	FDP05162
Extension	for 1085 L	-	1225	1120	1605	1500	-	300	60	REP30000
	for 1585 L	-	1225	1120	1605	1500	-	600	100	REP35000

Dimensions in mm for basic model (for guidance only).

**FOR CUSTOMISED PRODUCTION**  
See Page 56



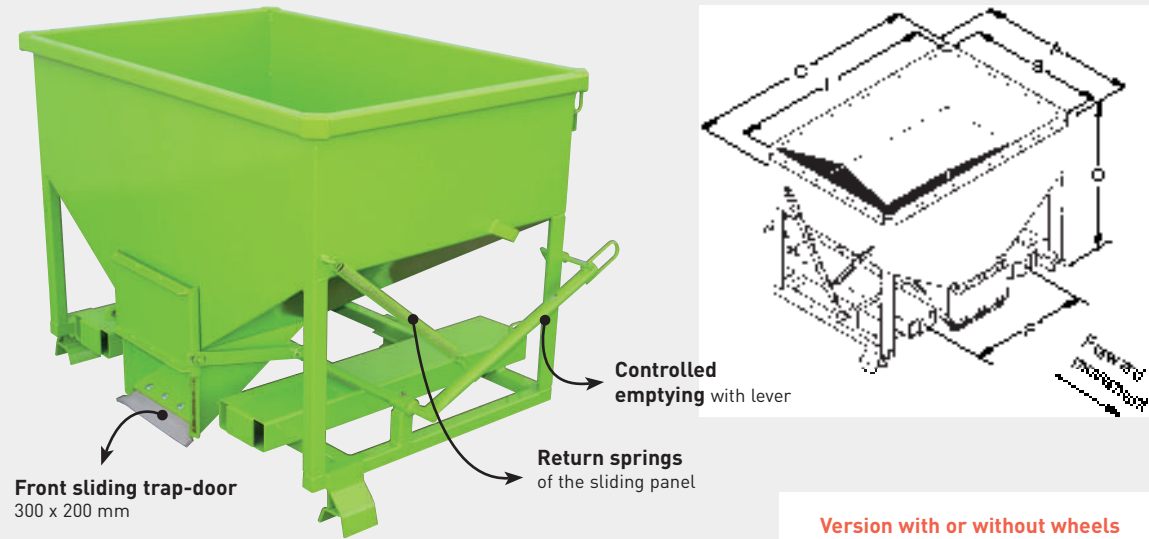
# GUILLOTINE HOPPER

FG

# DROP-BOTTOM HOPPER

FT

For transport and distribution of aggregates.  
Central emptying through gate.  
Complete or partial dumping.



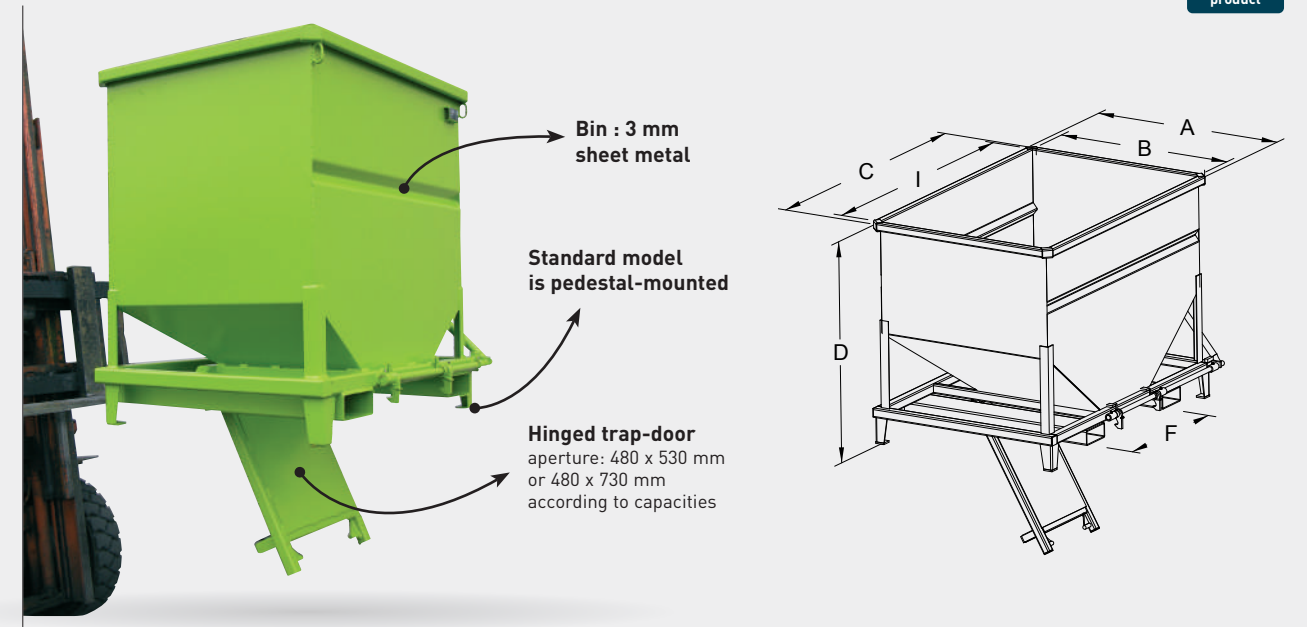
## CHARACTERISTICS

- Capacity from 500 to 1400 litres
- Bin : 3 mm sheet metal
- Lever locks in position for complete emptying
- Fixed-foot models are stackable
- Safety chain included
- Castor-mounted models have 2 fixed + 2 pivoting Ø125 mm alu/polyurethane castors and a handrail - forward movement
- For customised products, please contact us
- Available options include : gate blocking device (pre-set notches) and a waterproof guillotine

Capacity litres	Load kg	Castors Ø	A	B	C	I	D	F	Weight kg	Painted ref.
500	1000	-	920	800	1340	1200	970	700	160	FGP05000
500	1000	125	980	800	1340	1200	1030	700	170	FGP05121
750	1300	-	920	800	1340	1200	1230	700	185	FGP07000
750	1200	125	980	800	1340	1200	1290	700	195	FGP07121
1000	1700	-	1130	1000	1650	1500	1220	700	210	FGP10000
1000	1200	125	1180	1000	1650	1500	1280	700	220	FGP10121
1400	2200	-	1130	1000	1650	1500	1485	700	255	FGP14000
1400	1200	125	1180	1000	1650	1500	1545	700	265	FGP14121

Dimensions in mm for basic model (for guidance only).

Channeled emptying through base.  
Fork bottom lift.



## CHARACTERISTICS

- Capacities from 750 to 1500 litres
- Empties via lower hinged trap-door.  
Aperture :
  - 480 x 530 mm (750 and 1000 L models)
  - 480 x 730 mm (1250 and 1500 L models)
- Lever for manual opening, remote control possible
- Fork sleeves aperture : 170 x 70 mm. Spacing (F) : 750 mm
- Safety chain included
- For customised products, please contact us

Capacity litres	Load kg	A	B	C	I	D	F	Weight kg	Painted ref.
750	1500	950	800	1350	1200	1095	750	195	FTP07000
1000	2000	950	800	1350	1200	1355	750	220	FTP10000
1250	2250	1150	1000	1645	1500	1190	750	250	FTP12000
1500	2500	1150	1000	1645	1500	1355	750	270	FTP15000

Dimensions in mm for basic model (for guidance only).

# HOPPER FOR BIG-BAG ON FEET



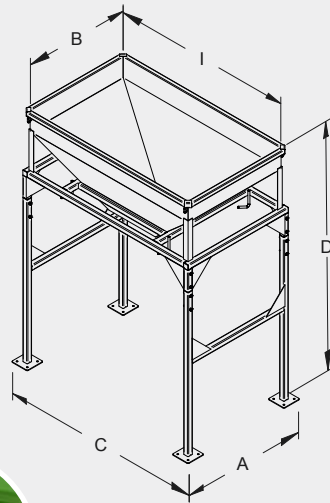
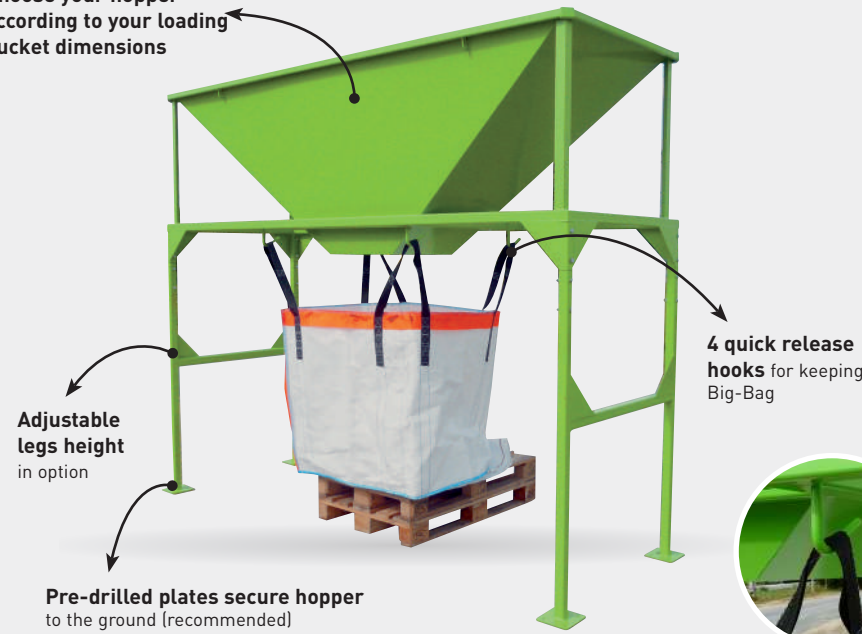
# FILLING HOPPER AND BIG-BAG LIFT



- Use with loading bucket to fill big-bags quickly.  
Clean work space.
- 2 versions: with removable or fixed legs



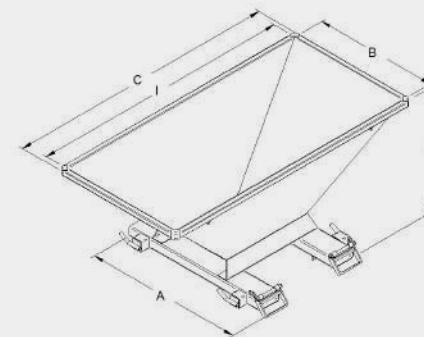
Choose your hopper according to your loading bucket dimensions



- Filling and handling of the big-bag.  
3 widths.
- Permissible load 2 tonnes.
- Approved by body of control.



Mobile hopper to fit on forklift truck forks



**ATTENTION:** Prior to use, accessory + forklift acceptance procedures must be carried out by your authorised inspection body.



## CHARACTERISTICS

- Tubular base reinforced with gusset plates
- Hopper: 3 mm sheet metal with reinforcing ribs
- Chute aperture: 500 x 500 mm
- Clearance below hooks: 1650 mm
- 1 model TBP05000, simplified structure with fixed legs, width 1.70m (no options possible)
- Tip:** place a pallet under big-bag facilitating its removal, and never have burden on hooks
- Available options include: double flat helmet or flowregulating sliding gate, according to load and product type (contact us)
- Other sizes available on request

Capacity litres	Forward		Lateral		D	Hook spacing	Weight kg	Painted ref.
	Interior (I)	Overall (C)	Interior (B)	Overall (A)				
490	1700	1800	1000	1100	2030	1044 x 847	162	TBP05000
830	1700	1900	1000	1200	2355	1044 x 860	221	TBP08000
830	2100	2300	1000	1200	2355	1076 x 840	243	TBP10000
1220	2500	2700	1000	1200	2600	1086 x 846	287	TBP11000
1460	3000	3200	1000	1200	2630	1149 x 845	317	TBP13000

Dimensions in mm for basic model (for guidance only).

## CHARACTERISTICS

- 3 mm steel panel hopper with reinforcement pleats
- 500 x 500 mm outlet channel
- Forks gripped in 5 mm thick sleeves, 170 x 55 int. passage, 680 mm between forks
- Distance between hooks 900 x 975 mm

Capacity litres	A	B	C	I	D	F	Weight kg	Painted ref.
830	1280	1000	1780	1700	870	680	170	TBP28000
830	1280	1000	2180	2100	910	680	176	TBP30000
1460	1280	1000	3080	3000	1140	680	233	TBP33000

Dimensions in mm for basic model (for guidance only).

# TAILOR-MADE SPECIAL HOPPERS



# TAILOR-MADE SPECIAL HOPPERS



Tell us your technical requirements and we will build your hoppers to measure !

Opening control by manual lever or handle.  
Controlled and channeled emptying.  
Painted, galvanized or stainless steel finish.

Version on base or on wheels.  
Various chutes.



Sealed sliding hatch



Sliding hatch and special downspout



Hopper with breathing pipes



Spherical ball valve



Articulated rotating hatch



Pinch valve



Diaphragm valve



Lever butterfly valve



Handwheel butterfly valve



Reinforced by anti-punching flanges



Sealed sliding hatch



Crane grip helmet hopper



Offset helmet hopper



Dual-helmet hatch



Sliding hatch on external rollers



Round chute, sealed by eccentric lever



Basic sliding hatch for light products



Flow adjustment sliding hatch with reduction gearing and angle gearing

# OPTIONS

## OPTIONS FINISH/BLOCKING/RELEASE

### Finishing choice :

Stainless steel, galvanized version or customised paintwork



### Blocking on forks (BFP)



### Automatic release (DAP) :

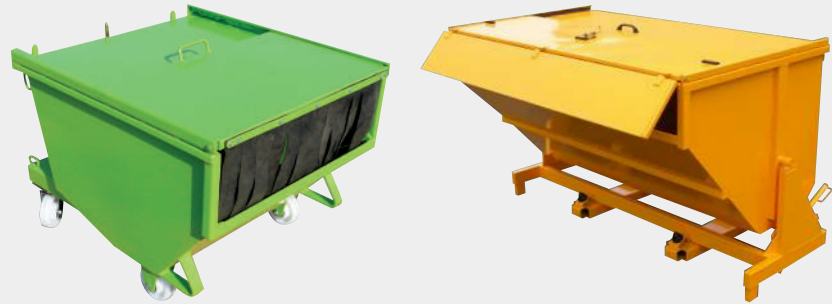
by pressure, by contact, by drawbar



# OPTIONS

## LIDS

**Sliding lid (CLP)**  
plastic strips or metal version



**Dead-light (OPP)**



**For stacker**



**Clamps hold on tipping bin**



**Clamps hold on drop bottom skip**



**Hinged two parts lid (COP)**



**Folding lid on BR**



**Custom removable lid (COS)**



**Guide flanges (FLP)**



**Fork sleeves on 3 sides (PTP)**



**Fixed lid with virole (CVP)**



**Articulated lid with 1 ferrule (VIP)**



**Special cover**  
Lockable, opening with gas compass



**Opening limiter (LOP)**



**Noise reduction coating**

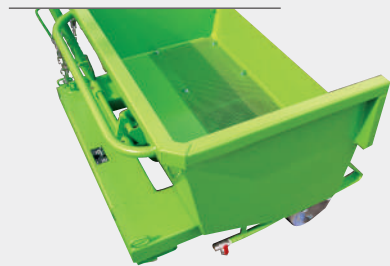




# OPTIONS

# OPTIONS

**Grille and drain tap**  
(GRP)



**Leakproof door**  
with foam seal (FEP)



**Adhesive letters**  
(MAP)



**4 lifting lugs**  
(BAP)



**Security by screw**



**Draw bar hitching**  
(TRP10000)



**Tarpaulin or netting**  
(FBP)



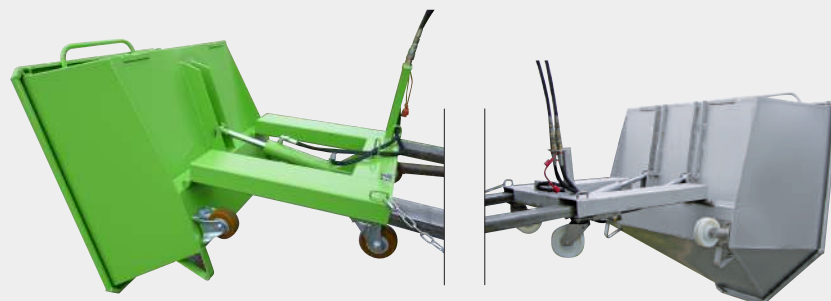
**Leakproof inspection window**  
on lid - (TEP)



**Deceleration cylinder**  
for end of tipping process (VRP)



**Hydraulic tipping**  
1 or 2 cylinders (BHP)



**Lid**

with aluminum roller shutter



**Customized leak-proof lid**  
with ferrule on tipping skip



**Cross fork sleeves**  
on FAP/CAP models (FVP)



**OTHER OPTIONS  
CONSULT US**

# CUSTOM MADE PRODUCTS

## CUSTOM MADE PRODUCTS



### — IMAGINE, INNOVATE, CREATE, GAIN YOUR TRUST...

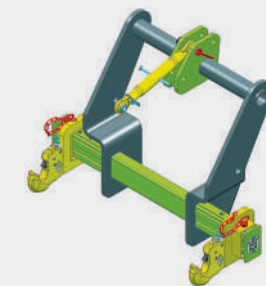
With **recognized know-how**, an ability to listen and professional expertise, we add to our wide range of standard products with tailor-made products to become your ideal partner and offer you :

- Unique expertise in the analysis of your requirements
- Personalised advice
- Solutions to each of your issues
- A proactive service
- Guaranteed quality, reliability and safety

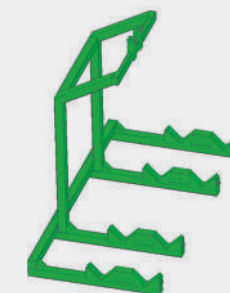
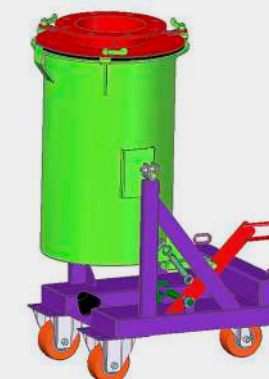
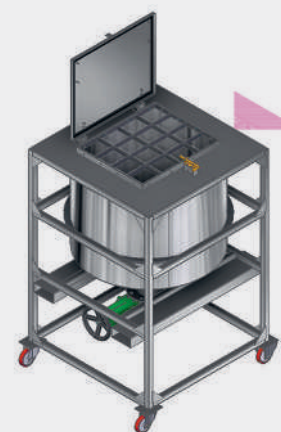
**Our design office works** every day to invent and develop products to provide you with solutions adapted to your requirements and the regulations (EC).

**The contract manager** is your contact with all the company's services. They guide you through the development of your project and answer all of your questions.

**Talk to us and benefit from our experience.**



**A tailor-made product designed to meet all your requirements !**



# CUSTOM MADE PRODUCTS

**Multi-compartment skip**  
Tilting or opening bottom



**Adaptation fork sleeves**  
For lift truck with clamps



**Skip**  
for machine environment



**Wire mesh version**



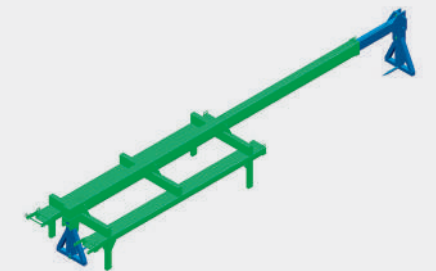
**Faggot mould**



**BR-C skip**  
with command of opening lid  
with pedal



**Special spur**



**Adaptation**  
with hinged tipping

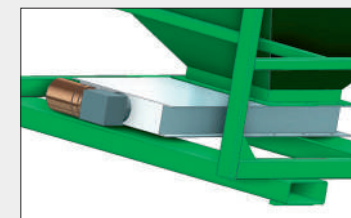


**Bin with opercule**  
or special glass hatch



**Specific adaptation**

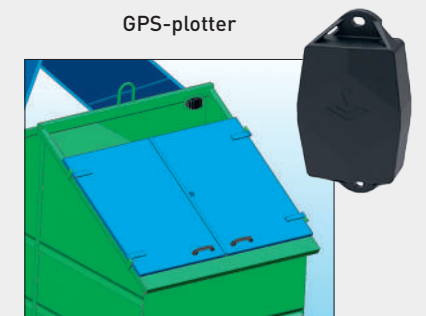
Geared motor



Hydraulic vibrator



GPS-plotter



# CUSTOM MADE PRODUCTS

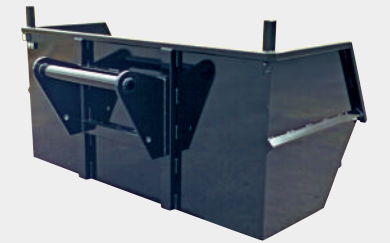
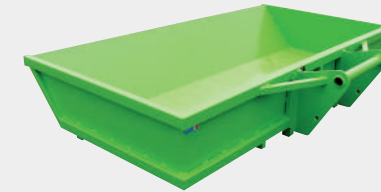
**Skip**  
with double-axle steering



**Mounting on specific wheels**  
For use with or without



**Special skip**  
for telescopic truck



**Truck**  
for fire equipment



**Truck**  
Handling



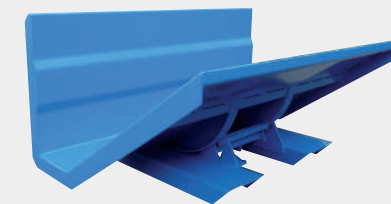
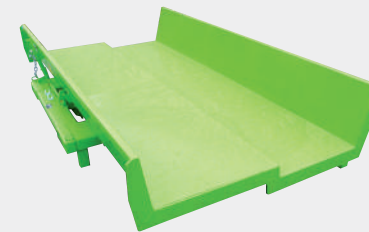
**Grab point**



**Open-bottom skip**  
with special lid



**Open sides**  
for long products



**Mobile ramp**  
special QL



# CUSTOM MADE PRODUCTS

**Reinforced skips**  
Steelworks / foundry / aspiration



**Hydraulic tilting**  
on tipping skip



**Retarder cylinder**



**Sloped bottom skip**  
special



## TELL US WHAT YOU NEED AND WE'LL MAKE THE SKIP TO FIT!



FOR A FREE ESTIMATE, PLEASE FILL IN THE FORM BELOW AND RETURN IT TO US.

Company : .....

Contact/Name : .....

Address : .....

Post code : ..... City : .....

Tel. : ..... Fax : ..... E-mail : .....

Sphere of activity : .....

### YOUR TECHNICAL REQUIREMENTS

Type of products handled : .....

Estimated load : .....

FINISH : Painted  galvanized  Stainless steel  Food-safe paint  Leak proof bin

TYPE : Pedestal-mounted model  Castor-mounted model  2 fixed + 2 pivoting  4 pivoting   
Forward movement  Lateral movement

For use with : Forklift  Stacker

Tipping system : Manual  Hydraulic

QUANTITY : .....

DESIRED OPTIONS AND/OR COMMENTS : .....

### DIMENSIONS REQUIRED

A (overall depth) : .....  
or

B (interior depth) : .....

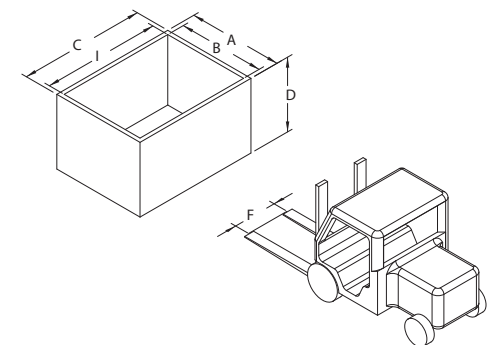
C (overall width) : .....

or  
I (interior width) : .....

D (overall height) : .....

F (fork sleeves spacing) : .....

Dimensions of your forks : ..... X .....



## NOTES

# ADD COLOUR TO YOUR WORKING ENVIRONMENT!

Our products are coated with a green polyurethane paint. As standard, we also offer the range of RAL colours below. Other RAL colours are available as an option so that our products can integrate seamlessly into your environment.



# To facilitate your work on the web

WEB SITE



Find our equipment on  
[www.goubard.fr](http://www.goubard.fr).



**Contact us.**

Z.A. de Suzerolle nord  
49140 Seiches-sur-le-Loir

**T. +33 (2) 41 76 36 52**  
**M. [export@goubard.fr](mailto:export@goubard.fr)**

VISIT CARD



Watch our demo  
videos on **Youtube.**

The trick ? Activate the bell  
to be alerted at every product release!

YOUTUBE

LINKEDIN



Follow our news  
on **LinkedIn.**

And log in to your sales  
executive if you wish.

Do you want to stop receiving the Goubard catalogue in paper format?  
Let us know, so that we only send you the link to the digital catalogue.