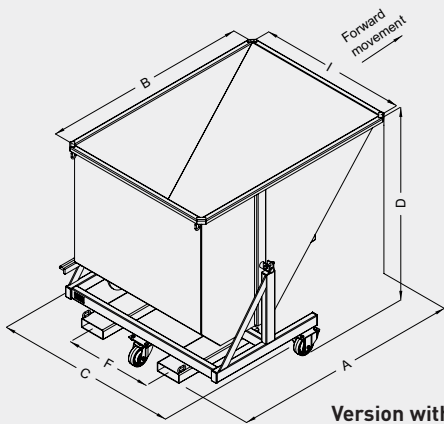


# AUTO TIPPING SKIP

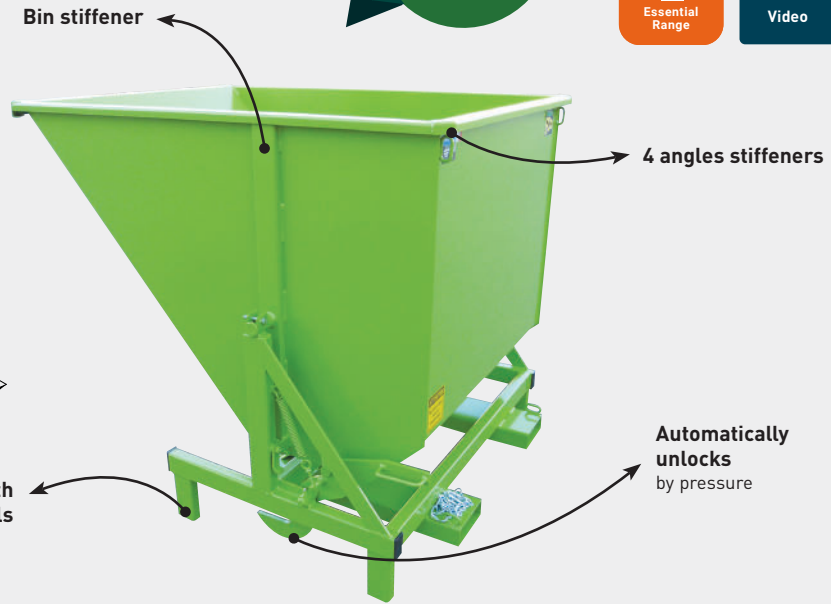
## ESSENTIAL - LOAD 1000KG



Low-cost.  
Versatile.  
Automatic release.



Version with or without wheels



Safety latch



Easy emptying thanks to an important slope



Automatically unlocks by pressure and manual tipping with lever

### CHARACTERISTICS

- Capacity : 685 to 1370 L
- Bin : 3 mm sheet metal
- Rubber bumpers dampen end of tipping process
- Fork sleeves (4 mm sheet metal) and spacing F can be modified on request
- Pedestal-mounted models can be used with pallet trucks (under fork sleeves)
- Castor-mounted models (forward movement) have 3 Ø125 mm nylon castors (2 fixed + 1 pivoting)
- Safety chain included
- Options on request

Capacity litres	Load kg	Castors Ø	Movement	A	B	C	I	D	F	Fork sleeves ins.	Weight kg	Painted ref.
685	1000	-		1500	1355	965	750	1265	400	165 x 55	160	IOP07000
685	1000	125	Fwd.	1500	1355	1020	750	1265	400	165 x 55	165	IOP07123
910	1000	-		1500	1355	1215	1000	1265	600	165 x 55	180	IOP09000
910	1000	125	Fwd.	1500	1355	1270	1000	1265	600	165 x 55	185	IOP09123
1140	1000	-		1500	1355	1465	1250	1265	600	165 x 55	200	IOP11000
1140	1000	125	Fwd.	1500	1355	1520	1250	1265	600	165 x 55	205	IOP11123
1370	1000	-		1500	1355	1715	1500	1265	600	165 x 55	220	IOP14000
1370	1000	125	Fwd.	1500	1355	1770	1500	1265	600	165 x 55	225	IOP14123

Dimensions in mm for basic model (for guidance only).