

Station & Fork extensions.



Ergonomics & Safety



Fork extensions open underneath



Total safety



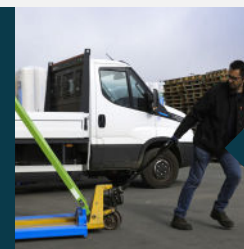
Automatic locking



Fork insertion by sliding action.



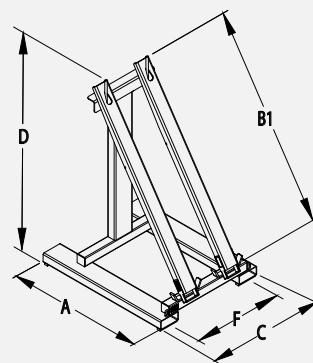
Quick fitting and removal without leaving the truck.



Station equipped with sleeves for manual handling or transport by forklift truck.

Characteristics.

- Fully compliant with ISO 13284:2022 Standard
- Quick fitting and removal without manual intervention
- Sliding insertion
- Easy storage
- Station fork centre distance: 800 mm (F)
- Station sleeve section: 170 x 70 mm
- Patented innovation, selected for the Concours Lépine
- Custom-made adaptations available



ISO 13284:2022 Standard

According to the ISO 13284:2022 Standard, extension length must conform to the following formula:

Maximum extension length (B1) = Length of the original truck forks (B) / 0.6

Important: Since 2022, the standard also includes additional requirements, particularly regarding steel strength.

GOUBARD is one of the very few manufacturers offering references that are fully compliant with ISO 13284:2022.

Station References					Compatible Fork Extensions					
Side height (mm) A.	Front width (mm) C.	Overall height (mm) D.	Weight (kg).	Painted ref.	Max. fork dimensions	Extension sleeve aperture.	Length (mm) B1.	Weight (kg).	Load capacity (kg) Ce.	Painted ref. (pair).
1200	980	1490	94	SRF11015	80 x 40	88 x 55	1500	39	1610	FRU08815
					100 x 40	110 x 55	1500	43	1690	FRU11015
1200	980	1665	98	SRF11016	100 x 40	110 x 55	1650	47	1560	FRU11016
1300	980	1885	106	SRF11019	100 x 40	110 x 55	1900	55	1440	FRU11019
					120 x 50	130 x 65	1900	64	1730	FRU13019